



全自動  
Fully Automatic

超硬鎢鋼圓鋸切斷機  
Tungsten Carbide Circular Sawing Machine

**THC**  
SERIES



多樣鋸切能力  
Variety Sawing Capacity

CE ISO-9001:2008

## 機型 Model

	送料 Transmission	切斷 Cutting Motion
	伺服馬達驅動 滾珠螺桿送料 Servo-motor driving ball screw transmission for feeding	頭部伺服馬達驅動 滾珠螺桿進給切斷 Sawhead driven by servo-motor ball screw transmission for cutting
 <b>THC-A70NC</b>		頭部油壓進給切斷 Sawhead driven by Hydraulic feed for cutting
 <b>THC-B70NC</b>		
 <b>THC-B76NC</b>		
 <b>THC-B90NC</b>		
 <b>THC-BNA102NC</b>		 鋁切斷 Aluminum cutting
 <b>THC-B101NC</b>		

## 01 全自動化整廠設備 Complete Workflow Planning



















倒角 Chamfering

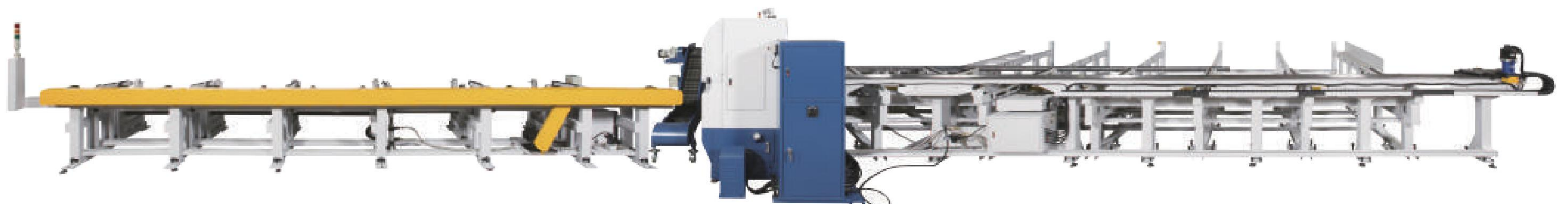
◀ 輸送 Conveying

◀ 切斷 Cutting

# 機型 Model

	送料 Transmission	切斷 Cutting Motion
 <p><b>THC-B130NC</b></p>	伺服馬達驅動 滾珠螺桿送料 Servo-motor driving ball screw transmission for feeding	頭部伺服馬達驅動 滾珠螺桿進給切斷 Sawhead driven by servo-motor ball screw transmission for cutting
 <p><b>THC-B150NC</b></p>		
 <p><b>THC-B165NC</b></p>		
 <p><b>THC-BNA168NC</b></p>		 鋁切斷 Aluminum cutting
 <p><b>THC-B200NC/B230NC/B260NC</b></p>		
 <p><b>THC-NA200NC/NA310NC</b></p>		 鋁切斷 Aluminum cutting

## 02 全自動化整廠設備 Complete Workflow Planning



7M出料架 7M Outfeeding Loader

◀ 切斷 Cutting

◀ 7M料架 7M Infeeding Loader

**THC**  
SERIES



TCT



# 全自動超硬鎢鋼圓鋸切斷機

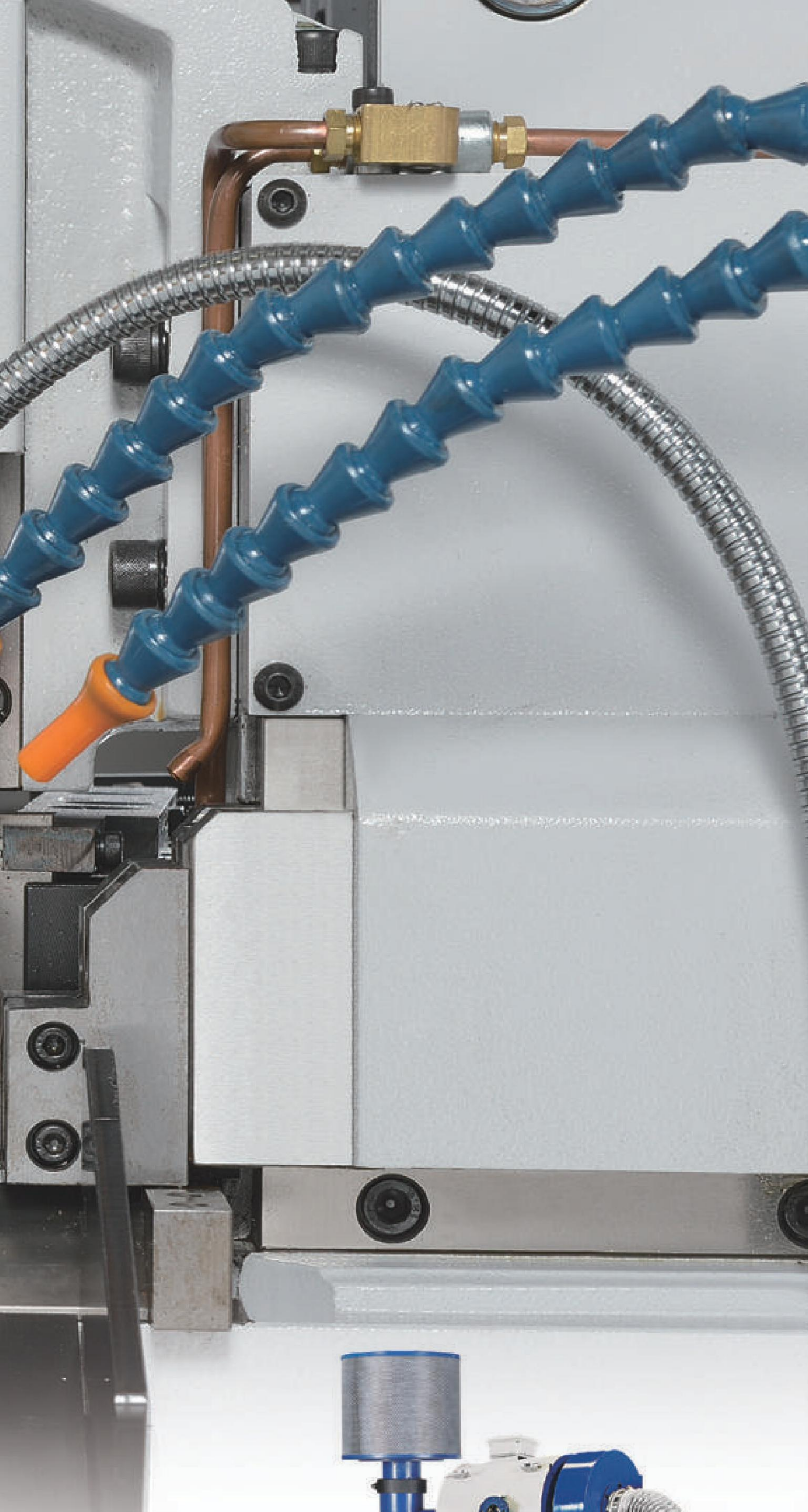
## Fully Automatic Tungsten Carbide Circular Sawing Machine

高速超硬鎢鋼圓鋸切斷機，對於鋼材做精密切斷，速度快、效率高、表面光滑、精度高，對各種實心棒、角鋼做完整切斷，鋼管採用HSS鋼圓鋸切斷。而THC-NA系列專作為鋁金屬實心棒、角鋁材、鋁管切斷。

The THC series high speed tungsten carbide sawing machine is designed and engineered to create optimum cutting performance. It features high speed, efficiency, and accuracy and also smooth surface of cut. The THC series is especially ideal for cutting solid bars and angular steel.

Also suitable for cutting Steel pipe by using a HSS sawblade.

The THC-NA series is especially ideal for cutting aluminum solid bars, angular aluminum, and aluminum pipe.



# Optimum

## Sawing Capacity

### 優異的切鋸能力

- 多樣切鋸能力
- 切鋸面平滑
- 配備齊全
- 精度高
- 速度快
- 效率提升

- Variety Sawing Capacity
- Smooth Surface
- Fully Equipped
- High Accuracy
- High Speed
- High Efficiency



# 全自動超硬鎢鋼圓鋸切斷機

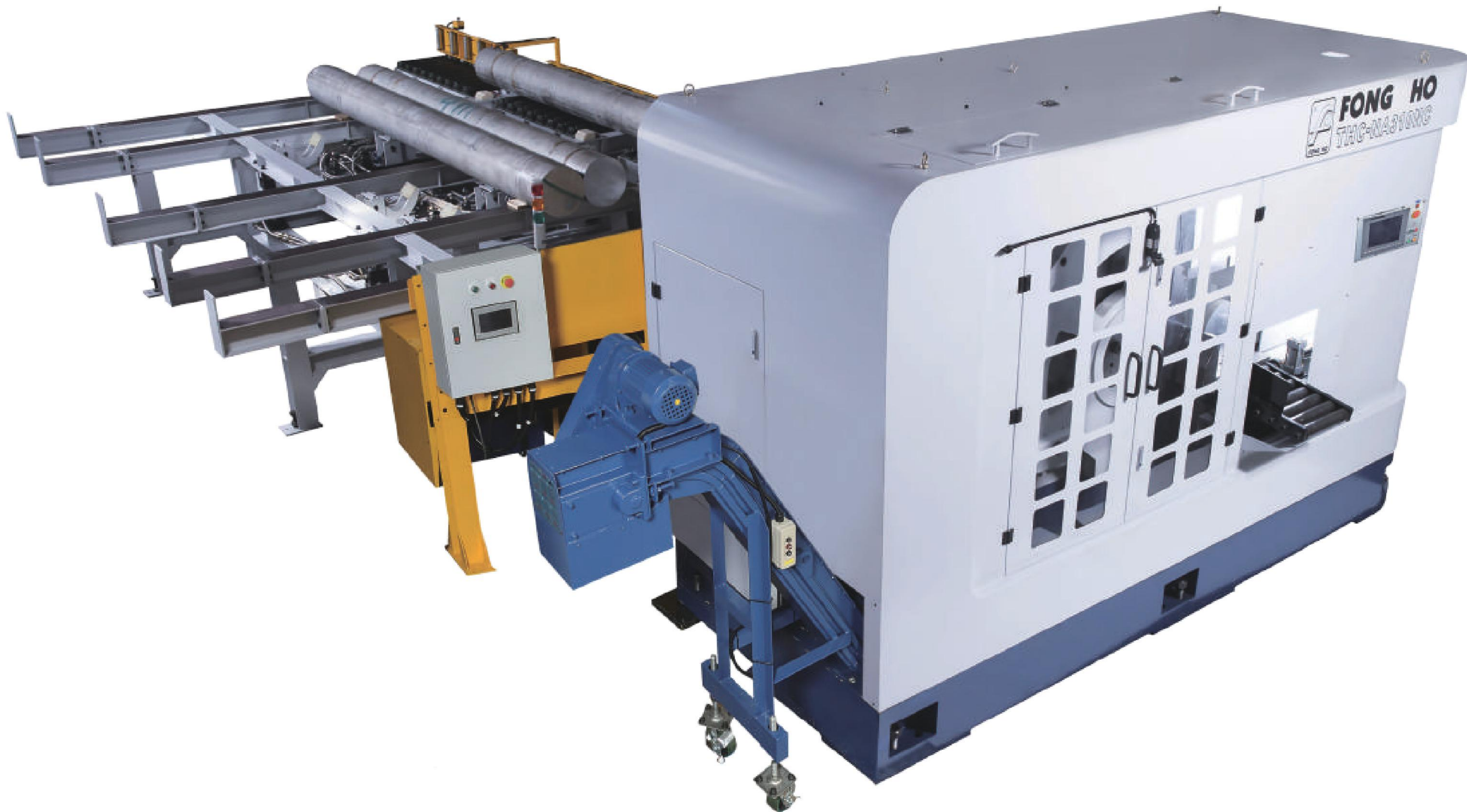
Fully Automatic Tungsten Carbide Circular Sawing Machine

鋼鐵切斷 Steel Cutting

THC-B200NC / THC-B230NC / THC-B260NC

鋁切斷 Aluminum Cutting

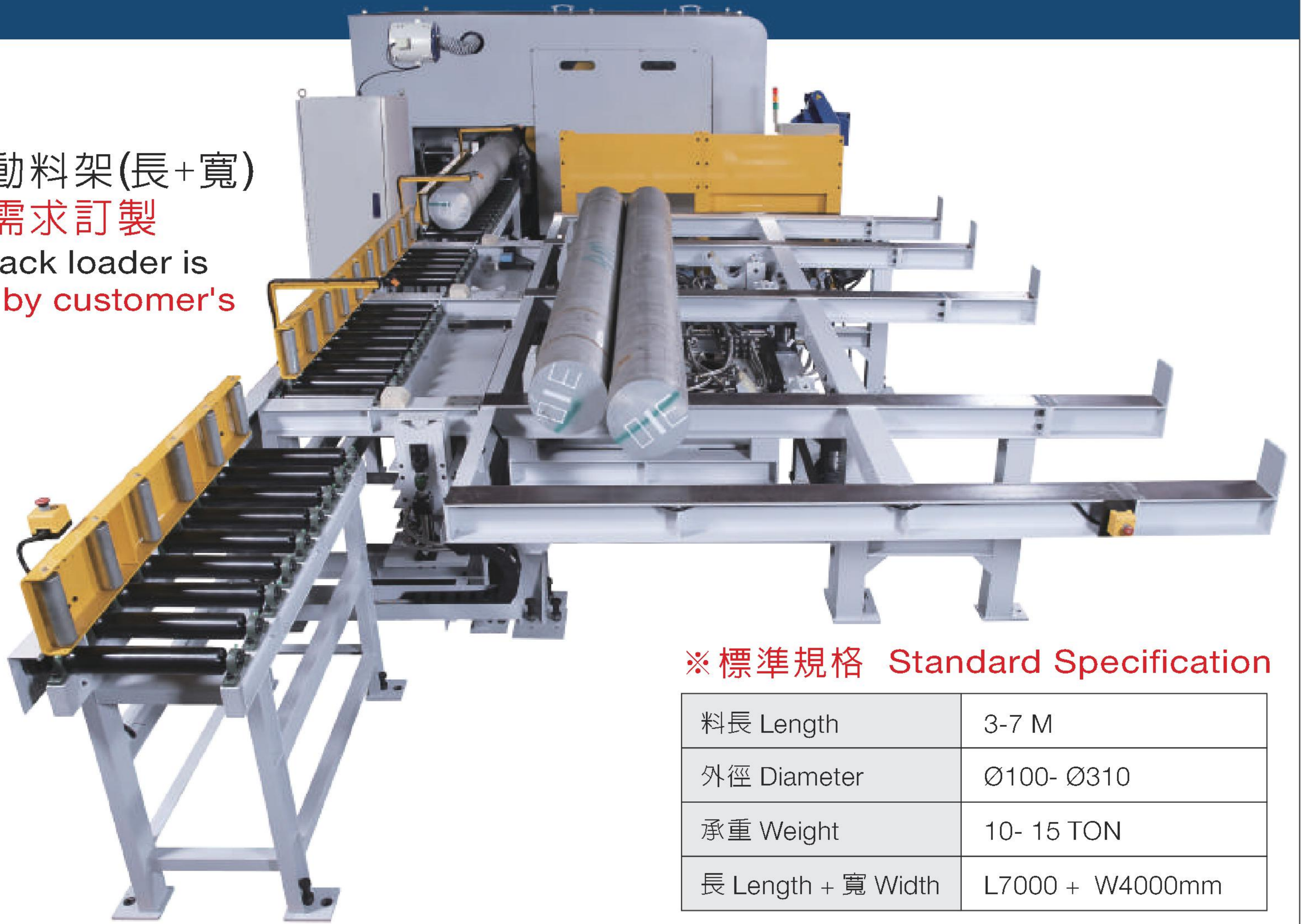
THC-NA200NC / THC-NA310NC



## 切斷能力 Cutting Capacity

機型 Model	THC-B200NC	THC-B230NC	THC-B260NC	THC-NA200NC	THC-NA310NC
鋸片規格 Carbide Sawblade Aluminum Sawblade	Ø660× t3.7×3.0×Ø80	Ø750× t3.8×3.2×Ø80	Ø830× t4.8×4.0×Ø80	Ø660× t4.0×3.5×Ø50 ※Ø710× t5.0×4.4×Ø50	※Ø910× t8×6.0×Ø100 Ø1100× t8×6.0×Ø100
棒材 Round Solid Bar ●	50 - 200	75 - 230	80 - 260	50 - 200 60 - 200	100 - 250 150 - 310
角材 Square Solid Bar ■	40 - 165	60 - 195	75 - 230	40 - 165 50 - 165	80 - 195 120 - 285
長方形 Rectangle Bar ■	40 x 165	60 x 195	75 x 230	40 x 165 50 x 165	80 x 195 120 x 285
乘載重量 Capacity 公噸 Ton	10	10 - 15	10 - 15	10	10-15

手積排列自動料架(長+寬)  
 規格依客戶需求訂製  
 The manual stack loader is  
 custom made by customer's  
 requirement.



※ 標準規格 Standard Specification

料長 Length	3-7 M
外徑 Diameter	Ø100- Ø310
承重 Weight	10- 15 TON
長 Length + 寬 Width	L7000 + W4000mm

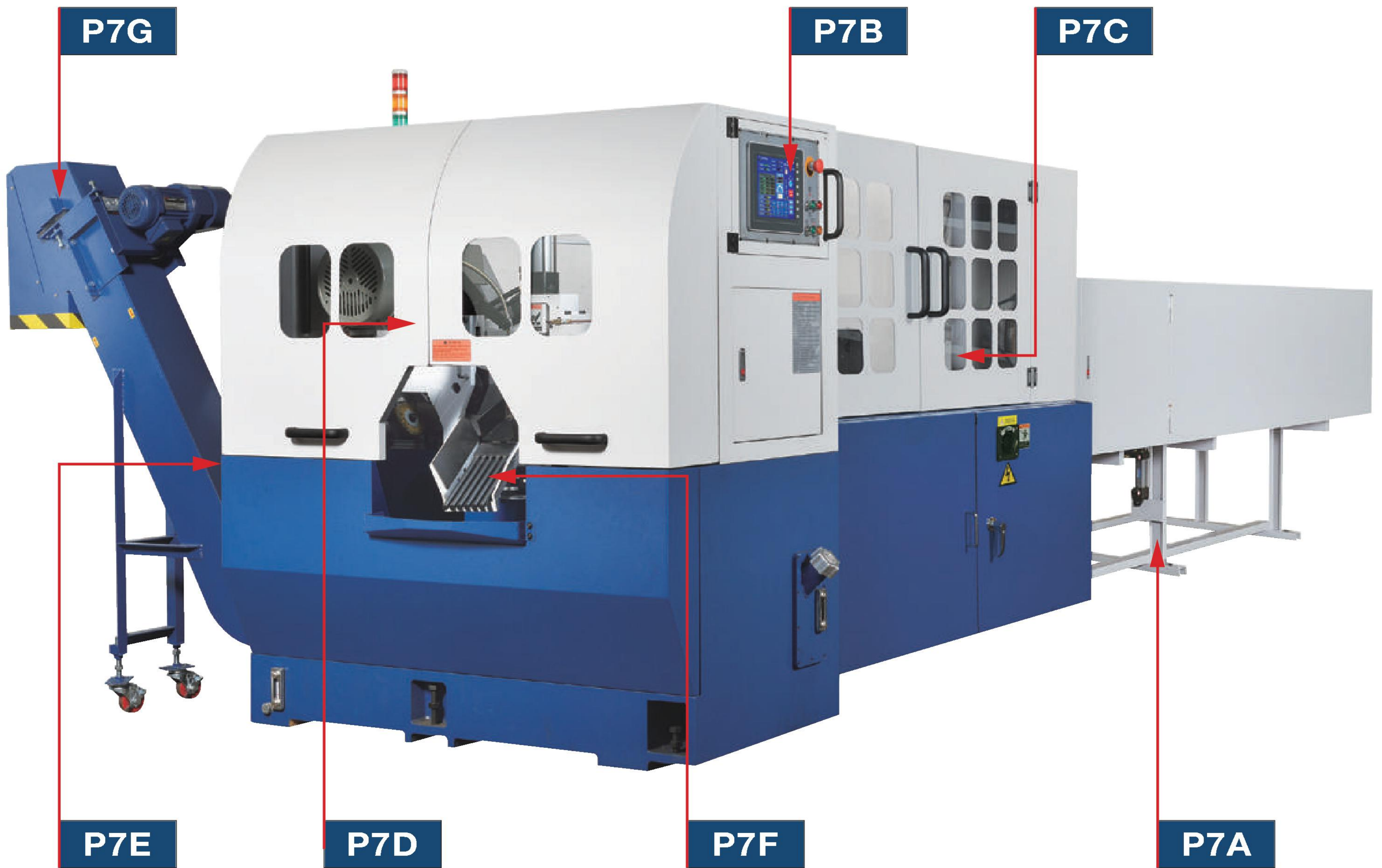
全配備介紹  
 Fully Equipment  
 Introduction



工作流程 Working Process

A. 手積入料 Manual Loading	B. 自動舉料 Auto Lifting
C. 自動滾動 Auto Rolling	D. 自動止擋 Auto Stopper
E. 自動舉料 Auto Lifting	F. 自動落料 Auto Unloader
G. 自動進料 Auto Feeding	H. 自動定位 Auto Locating
I. 自動油壓夾鉗送料 Auto Hydraulic Vise Feeding	J. 伺服馬達驅動滾珠螺桿送料 Servo-motor driving Ball Screw transmission for feeding
K. 主油壓夾鉗及上壓油壓夾鉗 Hydraulic Main Vise And Top Vise	L. 頭部伺服馬達驅動滾珠螺桿進給切斷 Sawhead driven by Servo-motor Ball Screw transmission for cutting
M. 自動循環連續動作 Automatic cycle continuous action	N. 自動收料裝置 (選購配件) Automatic Collection Device (Optional)

# 標準配備提高您的產能 Standard Equipped High Capacity

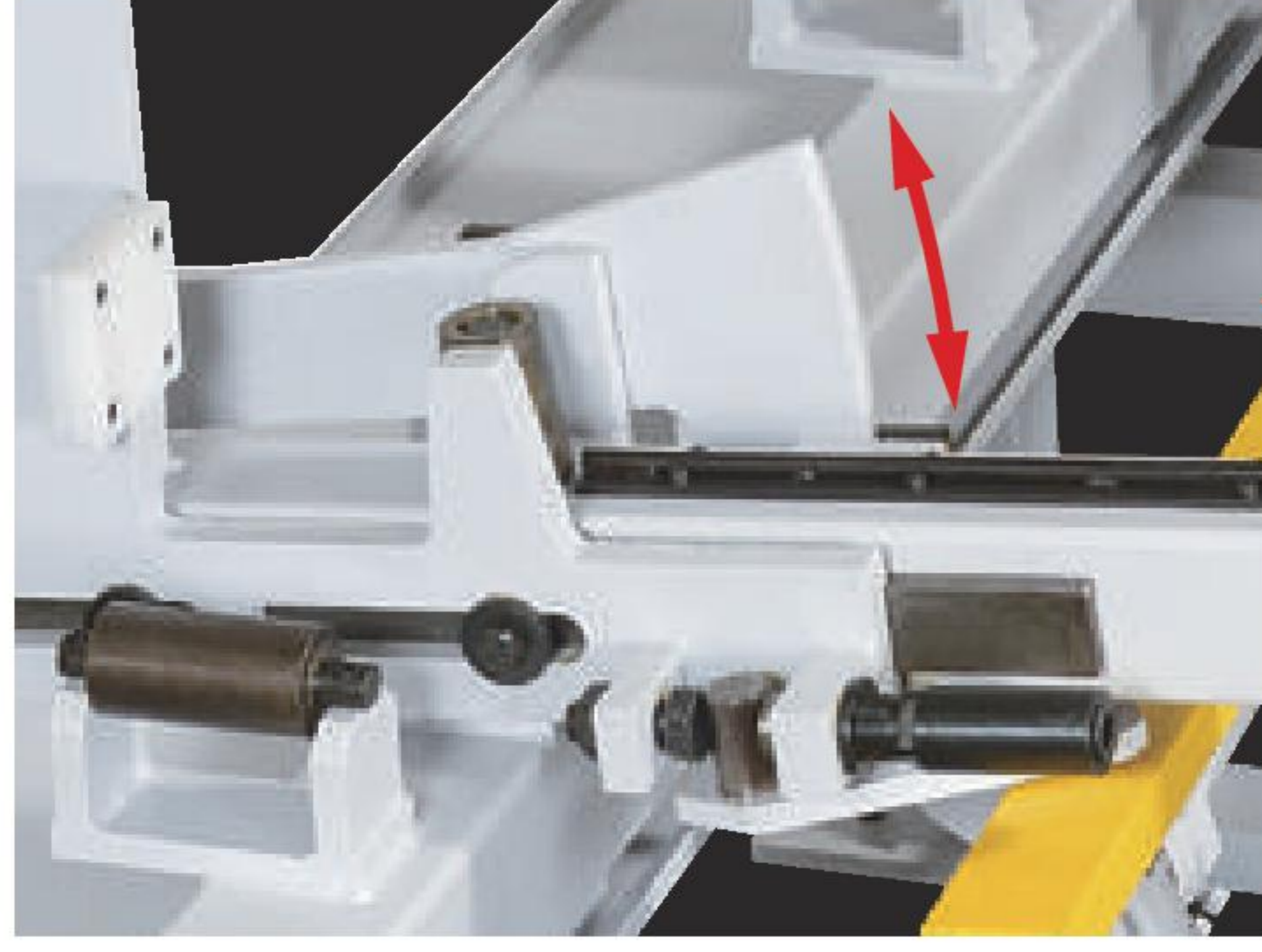


標準配備 Std.	刀具間隙 補償裝置 Sawblade Gap Compensation Device	刀具偏擺 防震鎢鋼墊塊 Tungsteen Pad For Sawblade Run-out	殘屑清除 鋼絲滾輪 Chip Removing Steel Brush Wheel	刮板式或鏈帶式 排屑裝置 ScraperType Chip Conveyor	噴霧式 冷卻裝置 Mist Cooling Device	切削液 冷卻裝置 Cutting Fluid Cooling Device	角材 滑動裝置 Angular Steel Slicing Device	工作燈 Work Light
機型 Model								
THC-A70NC								
THC-B70NC	✓	✓	✓	✓	✓	✓	✓	✓
THC-B76NC								
THC-B90NC								
THC-BNA102NC	-	-	-	✓	✓	✓	-	✓
THC-B101NC								
THC-B130NC	✓	✓	✓	✓	✓	✓	-	✓
THC-B150NC								
THC-B165NC								
THC-BNA168NC	-	-	-	✓	✓	✓	-	✓
THC-B200NC	✓	✓	✓	✓	✓	✓	-	✓
THC-NA200NC	-	-	-	✓	✓	✓	-	✓
THC-B230NC	✓	✓	✓	✓	✓	✓	-	✓
THC-B260NC								
THC-NA310NC	-	-	-	✓	✓	✓	-	✓

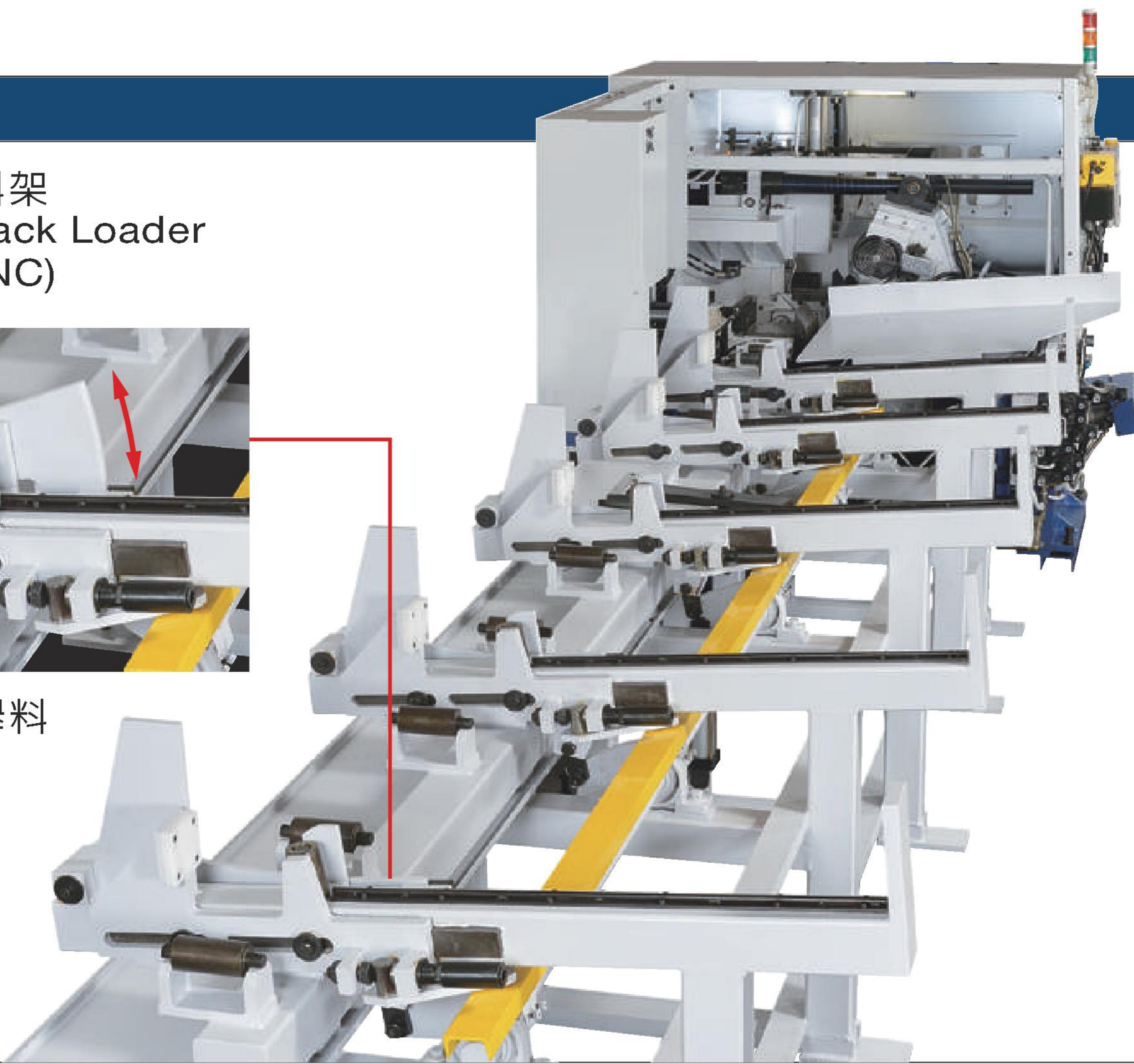


## P7A

手積排列料架  
Manual Stack Loader  
(THC-130NC)



自動油壓舉料  
Automatic  
Hydraulic  
Lifting



## P7B

**POD**  
觸控螢幕操作面盤  
Touch Sensing Screen



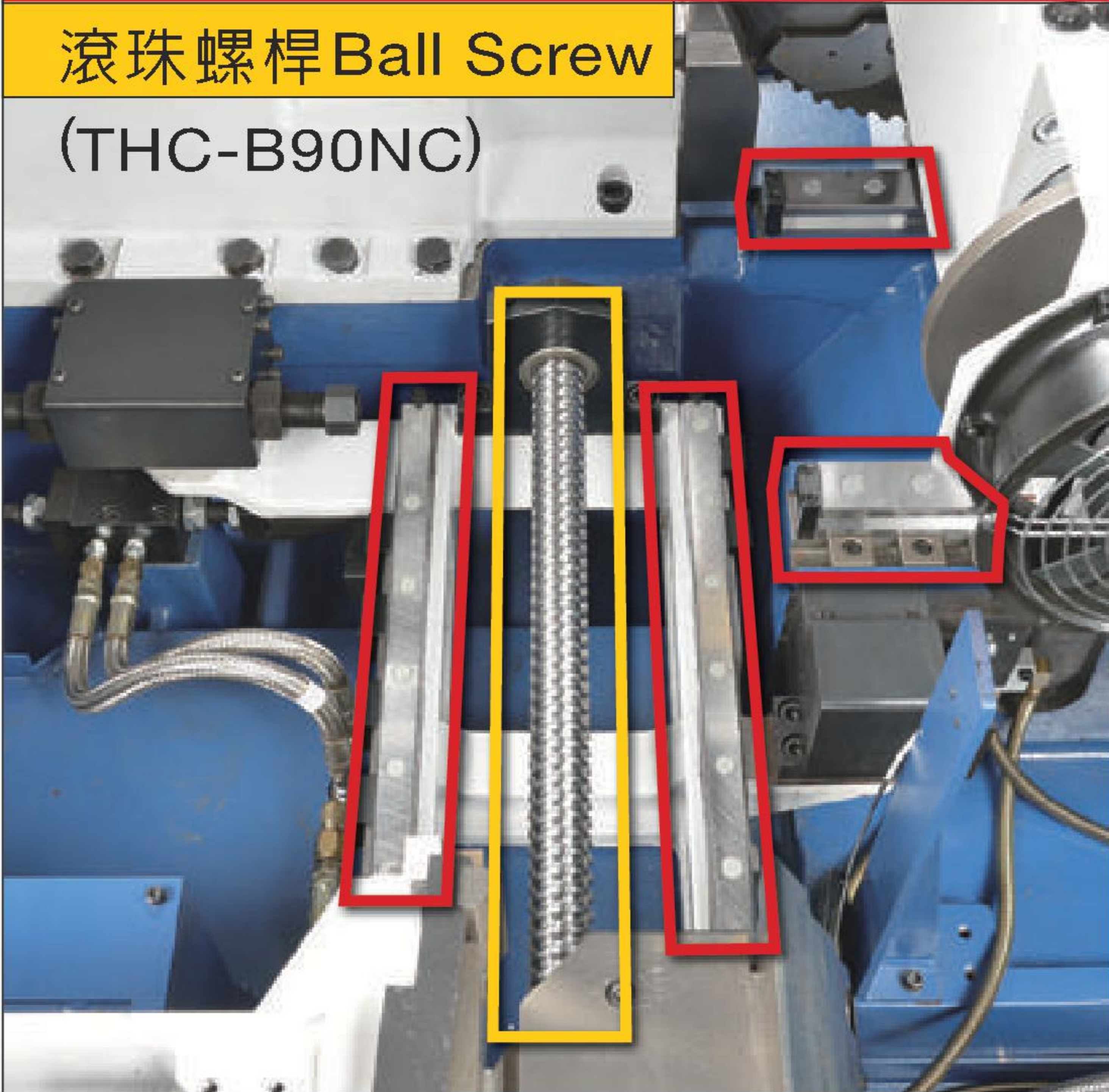
- 主畫頁  
Menu Display
- 自動執行畫頁  
Auto Run Display
- 機台監視畫頁  
Machine Monitor Display
- 手動操作畫頁  
Manual Operation Display
- 設定畫頁  
Setting Display
- 多國語言  
Multi-Lingual

## P7C

線性滑軌 Linear Slides

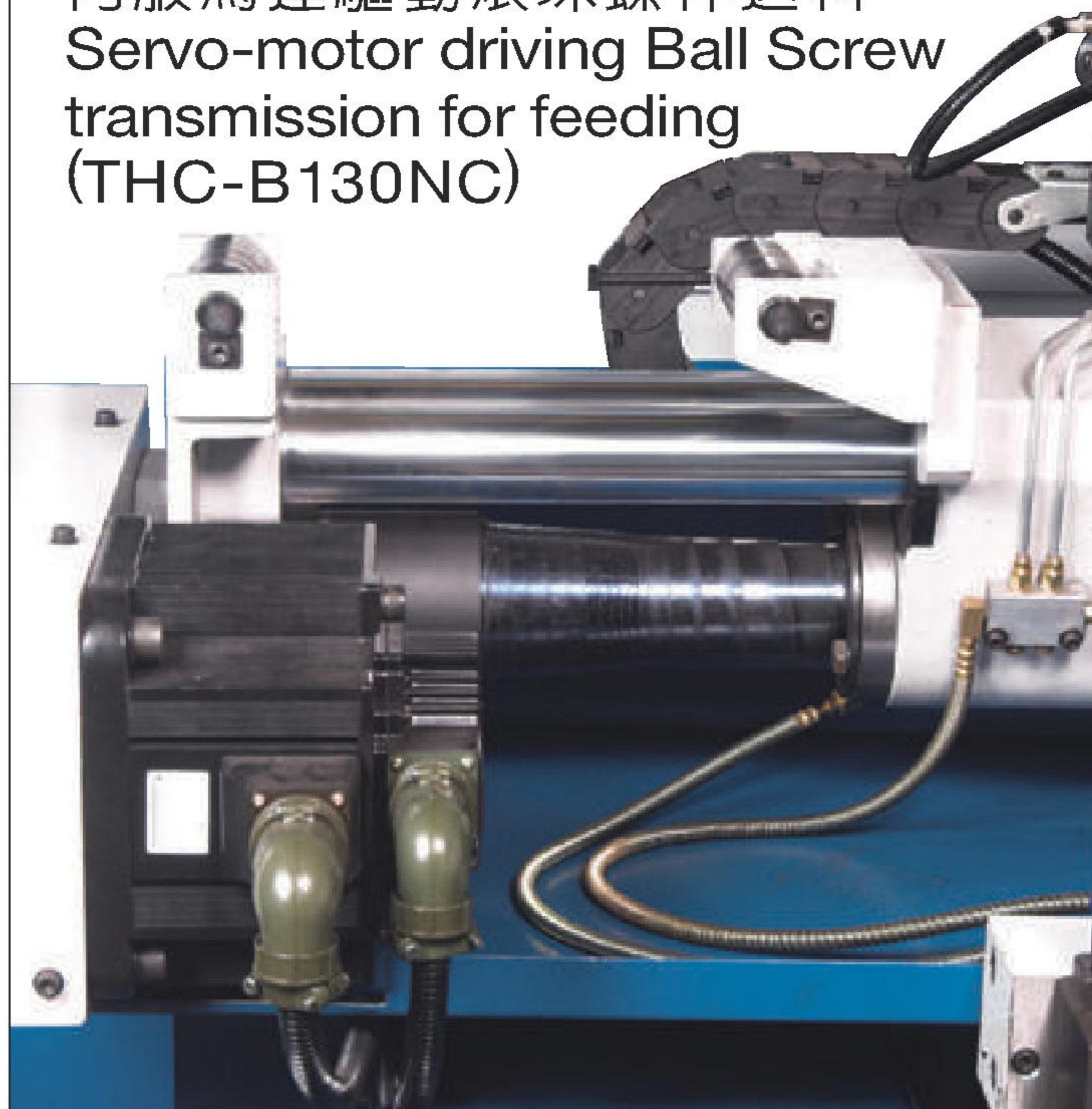
滾珠螺桿 Ball Screw

(THC-B90NC)



## P7D

伺服馬達驅動滾珠螺桿送料  
Servo-motor driving Ball Screw  
transmission for feeding  
(THC-B130NC)



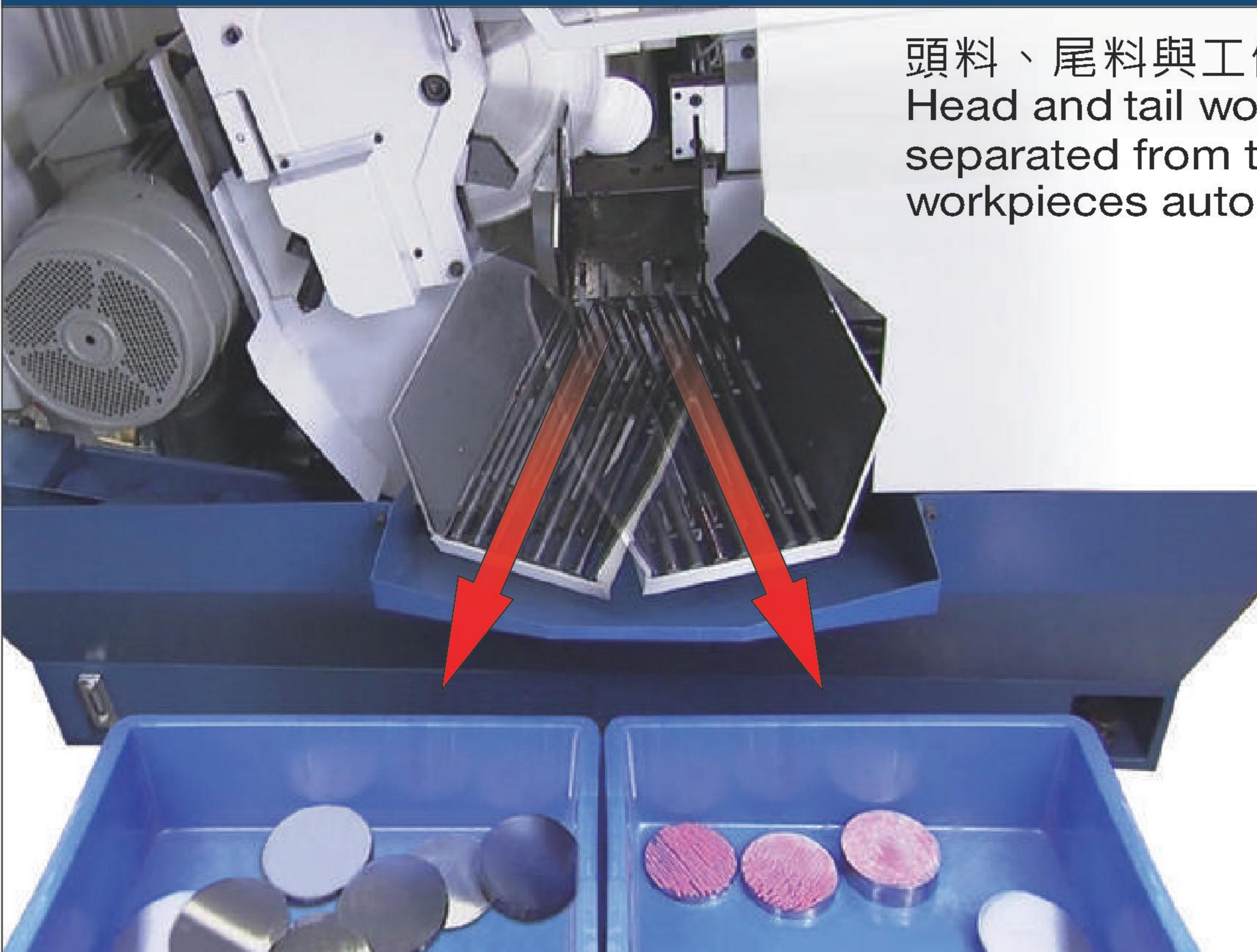
## P7E

噴霧潤滑裝置  
Mist Lubrication  
Device



## P7F

頭料、尾料與工件自動分料  
Head and tail workpieces are  
separated from the finished  
workpieces automatically

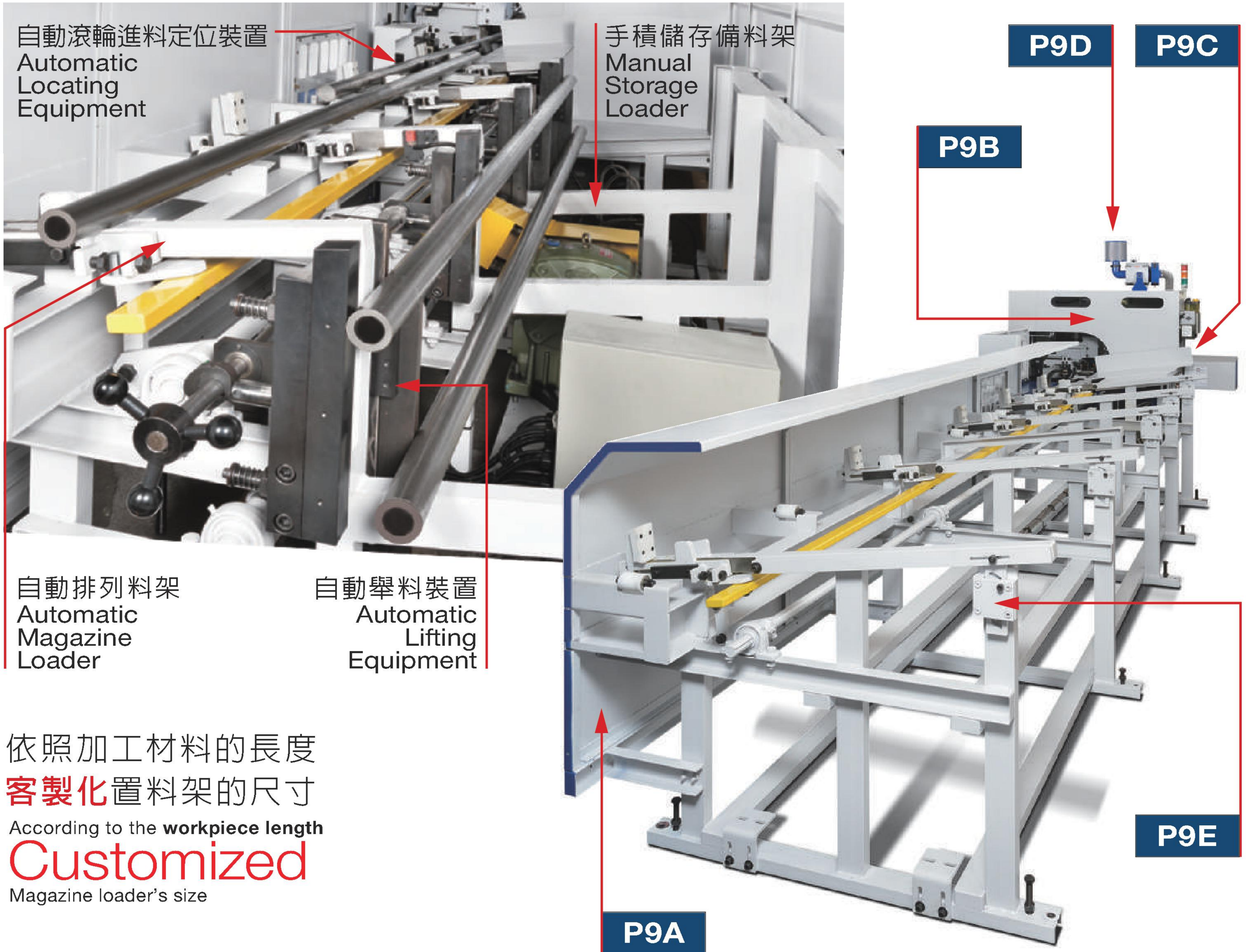


## P7G

排屑裝置  
Chip Conveyor



## 選購配備滿足您的需求 Optional Equipment Meet Your Needs



依照加工材料的長度  
客製化置料架的尺寸  
According to the **workpiece length**  
**Customized**  
Magazine loader's size

選購配備 Opt.	TCT 超硬鎢鋼 圓鋸片 Carbide Sawblade	HSS 高速鋼 圓鋸片 Sawblade	TIP 銅鋁鎢鋼 圓鋸片 Aluminum Carbide Sawblade	鋁屑 集塵設備 Aluminum Dust Collector	油霧回收機 Oil Mist Collector	切削液 Cutting Fluid	角材 滑動裝置 Angular Steel Slicing Device	自動滾輪 出料裝置 Automatic Roller Outfeeding Device	手積儲存 備料架 Manual Storage Loader	自動 舉料裝置 Automatic Lifting Equipment	自動 排列料架 Automatic Magazine Loader	自動滾輪 進料定位裝置 Automatic Locating Equipment
機型 Model												
THC-A70NC												
THC-B70NC	✓	✓	-	-	✓	✓	✓	✓	✓	✓	✓	✓
THC-B76NC												
THC-B90NC												
THC-BNA102NC	-	-	✓	✓	-	✓	-	✓	✓	✓	✓	✓
THC-B101NC	✓	✓	-	-	✓	✓	✓	✓	✓	✓	✓	✓
THC-B130NC												
THC-B150NC	✓	-	-	-	✓	✓	✓	✓	✓	✓	✓	✓
THC-B165NC												
THC-BNA168NC	-	-	✓	✓	-	✓	✓	✓	✓	✓	✓	✓
THC-B200NC	✓	-	-	-	✓	✓	-	✓	-	✓	✓	✓
THC-NA200NC	-	-	✓	✓	-	✓	-	✓	-	✓	✓	✓
THC-B230NC	✓	-	-	-	✓	✓	-	✓	-	✓	✓	✓
THC-B260NC	✓	-	-	-	✓	✓	-	✓	-	✓	✓	✓
THC-NA310NC	-	-	✓	✓	-	✓	-	✓	-	✓	✓	✓

P9A

送料安全保護蓋  
Feeding Safety Guard



半罩式送料安全保護蓋  
Semi-Feeding Safety Guard



全罩式送料安全保護蓋  
Fully Feeding Safety Guard

P9B

HSS 高速鋼圓鋸片  
Circular Sawblade



TCT 超硬鎢鋼圓鋸片  
Extra Hard Tungsten Carbide  
Circular Sawblade



P9C

自動滾輪出料裝置  
Automatic Roller  
Outfeeding Device  
150~350mm



P9D

油霧回收機  
Oil Mist Collector



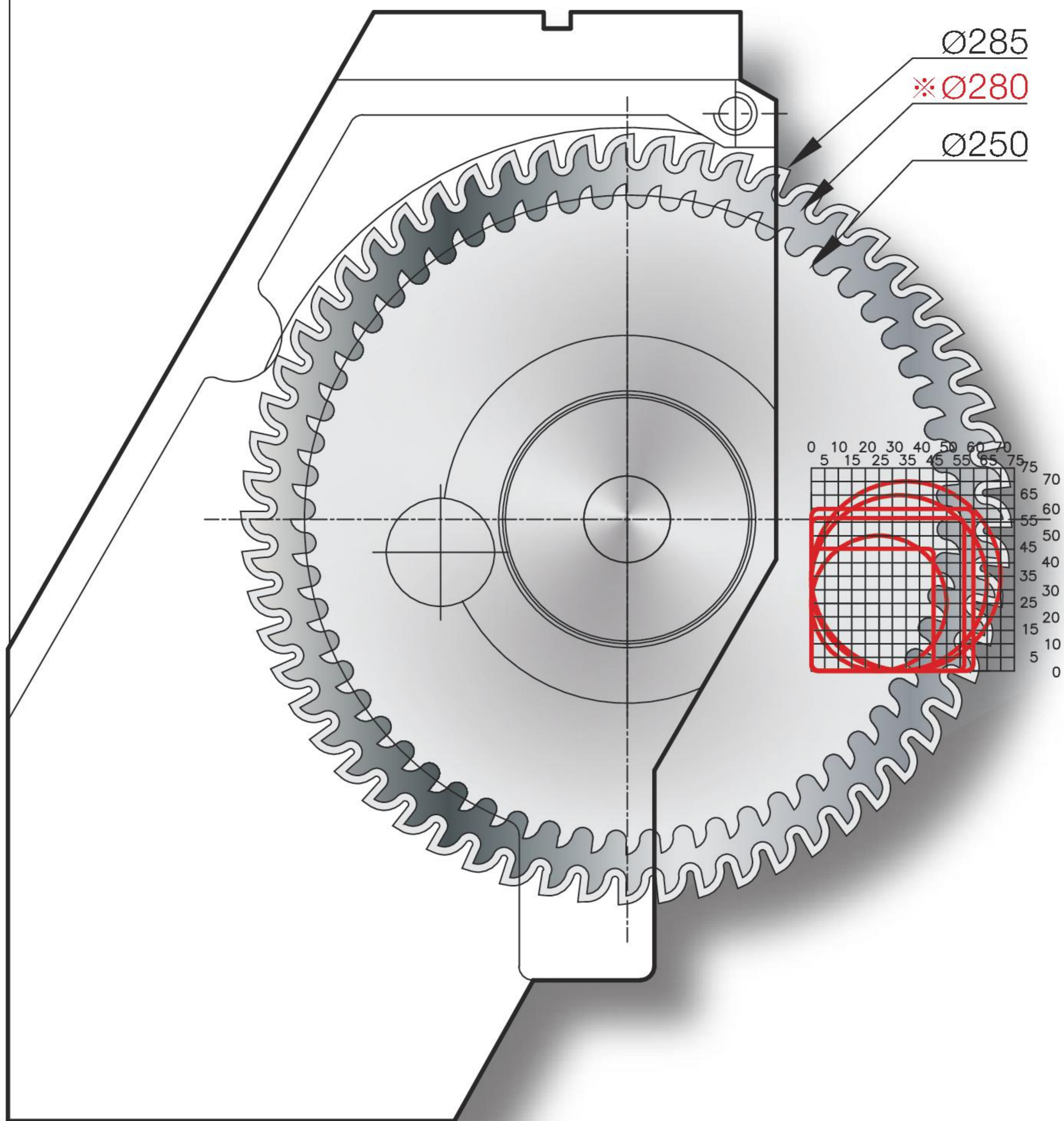
P9E

角材助滑動裝置  
Angular Steel Slide  
Assistance Device



## 參考鋸刃外徑與材料外徑

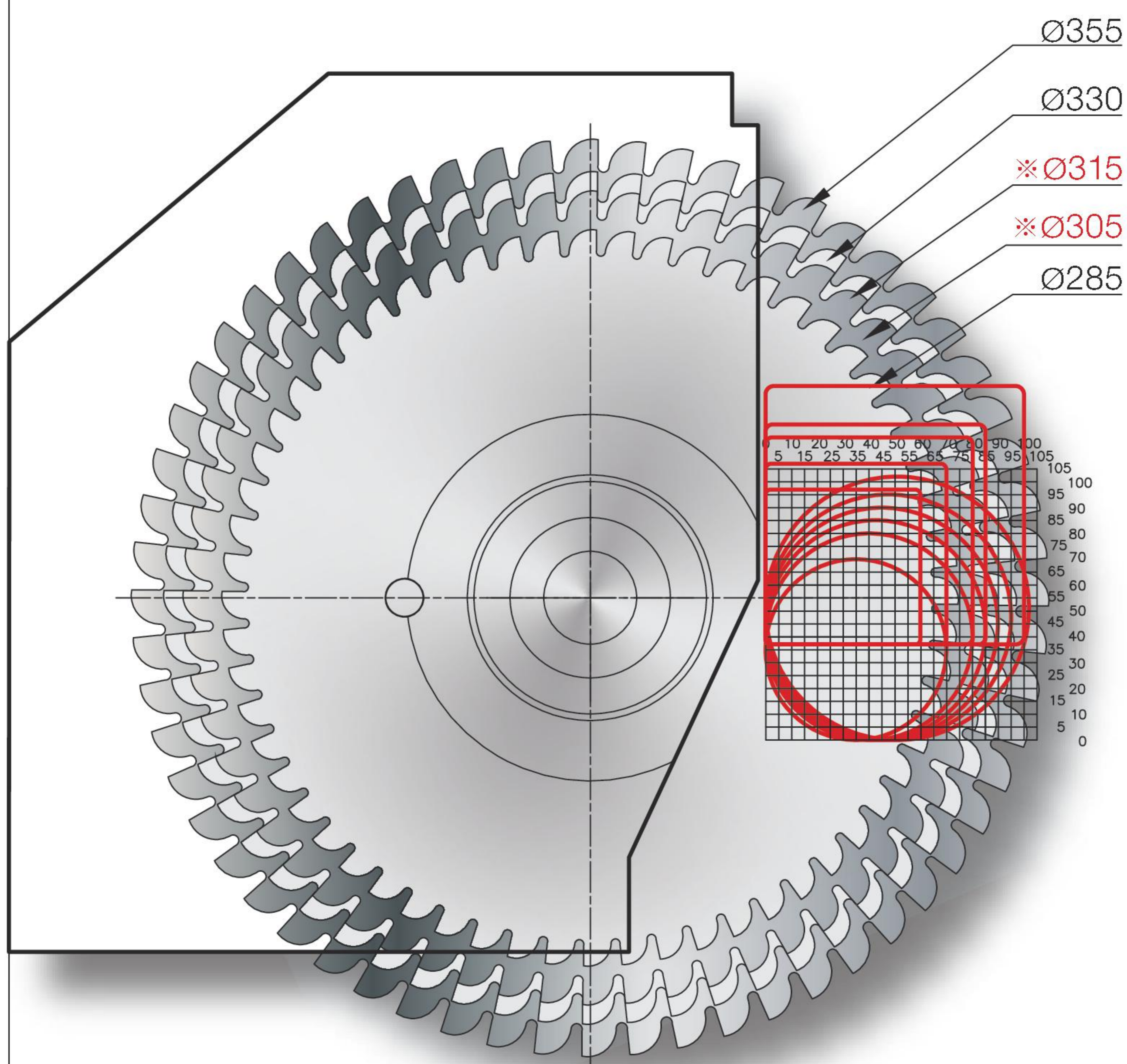
### Cutting Capacity For Various Workpiece Shape



#### THC-A70NC / THC-B70NC

材質: 鋼      管材厚度: ≤2.5 ~ 3.5mm以上  
Material: Steel      Pipe Thickness: ≤2.5 ~ 3.5mm

鋸刃外徑 Sawblade Dia.	● ○	■ □	▬ □
Ø250	Ø50	45 x 45	40 x 45
*Ø280	Ø65	57 x 57	52 x 60
Ø285	Ø70	60 x 60	55 x 60



#### THC-B76NC

材質: 鋼      管材厚度: ≤2.5 ~ 3.5mm以上  
Material: Steel      Pipe Thickness: ≤2.5 ~ 3.5mm

鋸刃外徑 Sawblade Dia.	● ○	■ □	▬ □
Ø285	Ø72	60 x 60	55 x 60

#### THC-B90NC

材質: 鋼      管材厚度: ≤2.5 ~ 4.5mm以上  
Material: Steel      Pipe Thickness: ≤2.5 ~ 4.5mm

鋸刃外徑 Sawblade Dia.	● ○	■ □	▬ □
Ø285	Ø70	60 x 60	55 x 60
*Ø315	Ø85	80 x 80	75 x 80
Ø330	Ø90	85 x 85	80 x 85

#### THC-BNA102NC

材質: 鋁      管材厚度: ≤2.5 ~ 5.5mm以上  
Material: Aluminum      Pipe Thickness: ≤2.5 ~ 5.5mm

鋸刃外徑 Sawblade Dia.	● ○	■ □	▬ □
*Ø305	Ø80	70 x 70	65 x 70
Ø355	Ø102	100 x 100	95 x 100

※ 特別鋸刃外徑 (選購配備)  
Sawblade Diameter (Optional)

○ 圓管  
Round Pipe

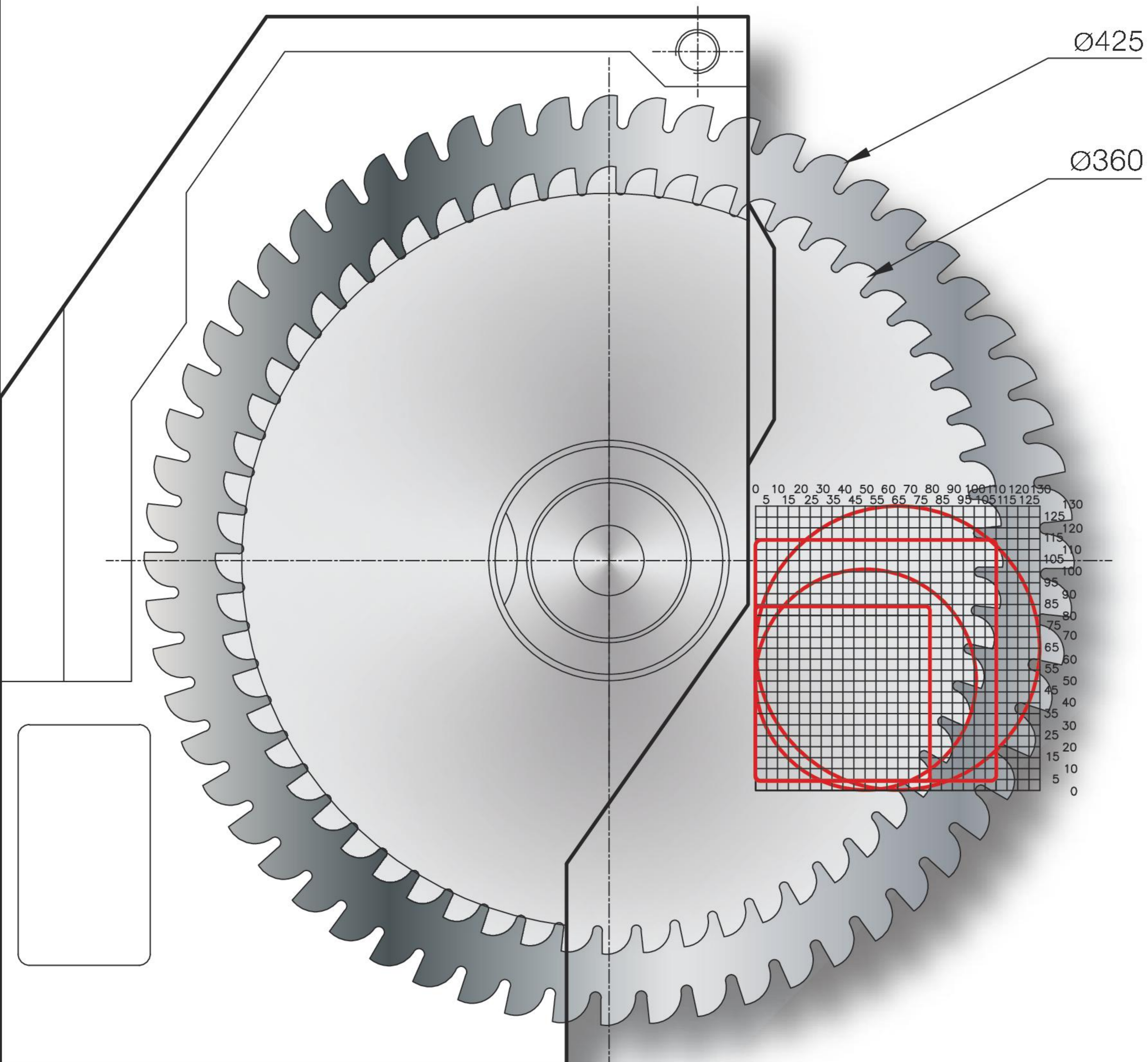
□ 方管  
Square Pipe

▭ 長方管  
Rectangle Pipe

● 圓形材  
Round Bar

■ 方形材  
Square Bar

▬ 長方形材  
Rectangle Bar



### THC-B101NC

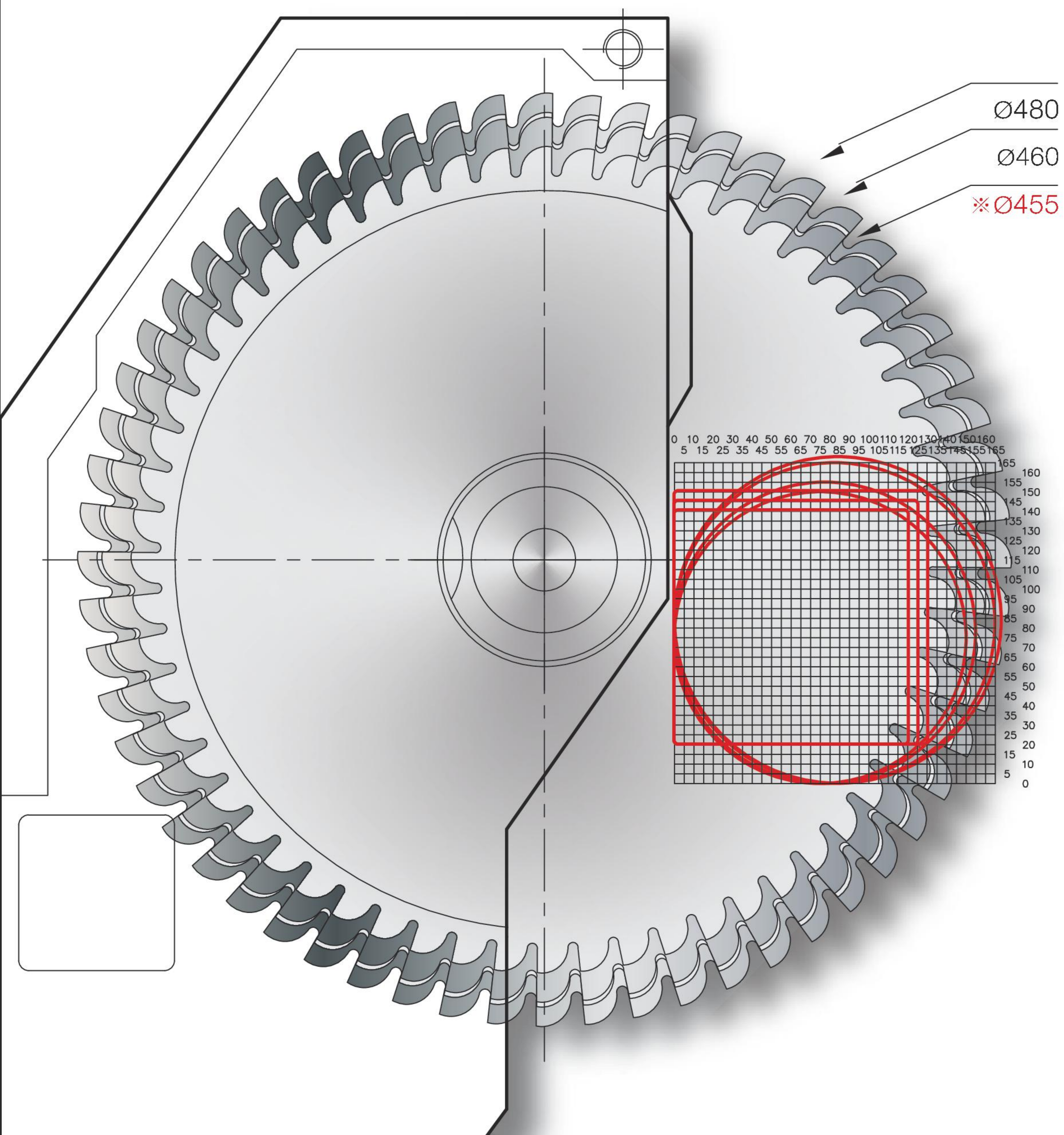
材質: 鋼 管材厚度: ≤2.5 ~ 5.5mm以上  
Material: Steel Pipe Thickness: ≤2.5 ~ 5.5mm

鋸刃外徑 Sawblade Dia.	● ○	■ □	▬ ▭
Ø360	○	□	▭

### THC-B130NC

材質: 鋼 管材厚度: ≤5.0 ~ 6.0mm以上  
Material: Steel Pipe Thickness: ≤5.0 ~ 6.0mm

鋸刃外徑 Sawblade Dia.	● ○	■ □	▬ ▭
※ Ø360 Ø425	○	□	▭
	Ø102	80 x 80	75 x 80
	Ø130	110 x 110	100 x 110



### THC-B150NC

材質: 鋼 管材厚度: ≤6.0 ~ 8.0mm以上  
Material: Steel Pipe Thickness: ≤6.0 ~ 8.0mm

鋸刃外徑 Sawblade Dia.	● ○	■ □	▬ ▭
Ø460	○	□	▭
	Ø155	125 x 125	115 x 125

### THC-B165NC

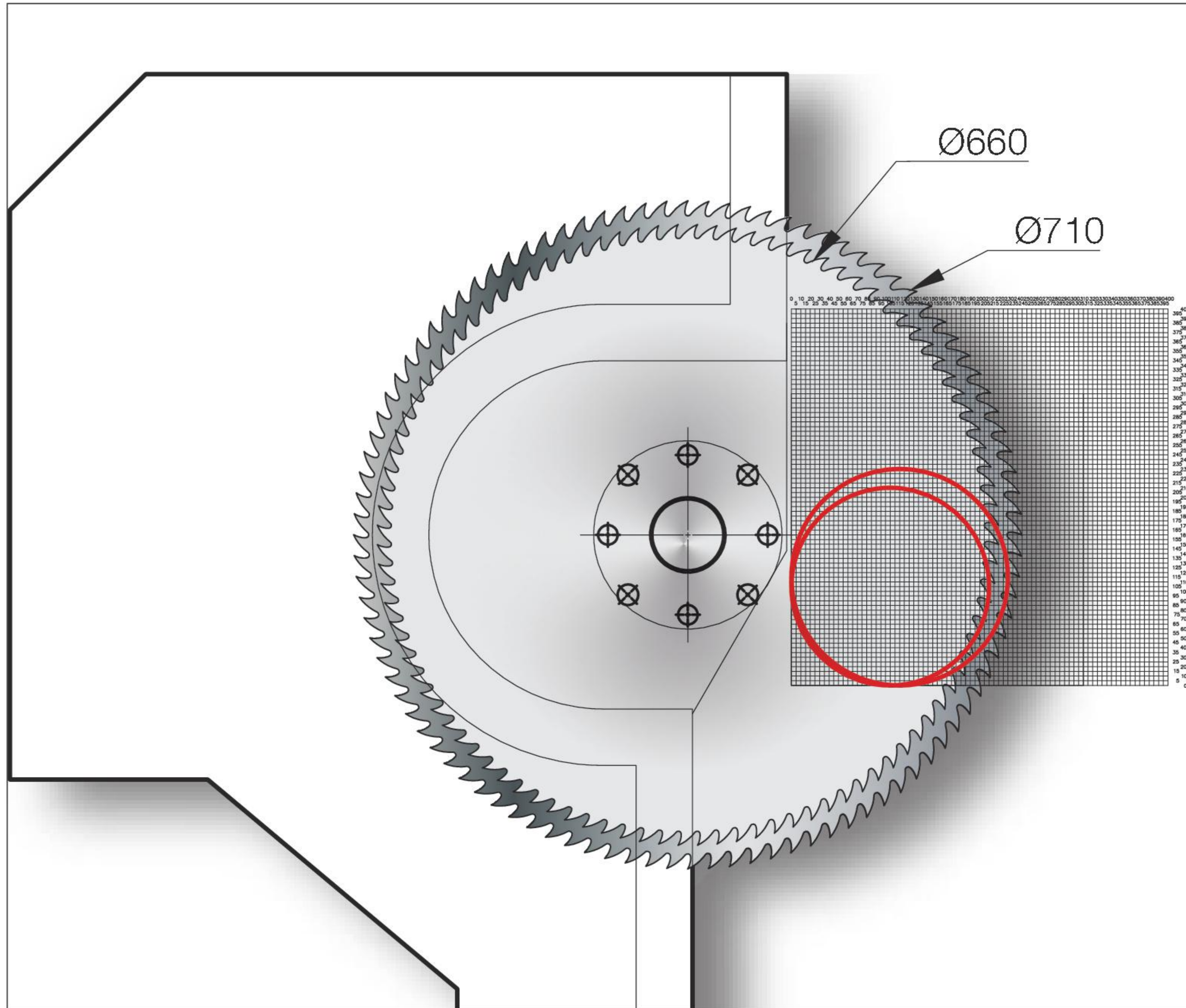
材質: 鋼 管材厚度: ≤6.0 ~ 8.0mm以上  
Material: Steel Pipe Thickness: ≤6.0 ~ 8.0mm

鋸刃外徑 Sawblade Dia.	● ○	■ □	▬ ▭
※ Ø460 Ø480	○	□	▭
	Ø155	125 x 125	115 x 125
	Ø165	130 x 130	120 x 130

### THC-BNA168NC

材質: 鋁 管材厚度: ≤8.0 ~ 11.0mm以上  
Material: Aluminum Pipe Thickness: ≤8.0 ~ 11.0mm

鋸刃外徑 Sawblade Dia.	● ○	■ □	▬ ▭
※ Ø455 Ø480	○	□	▭
	Ø150	120 x 120	110 x 120
	Ø168	130 x 130	120 x 130



**THC-B200NC**

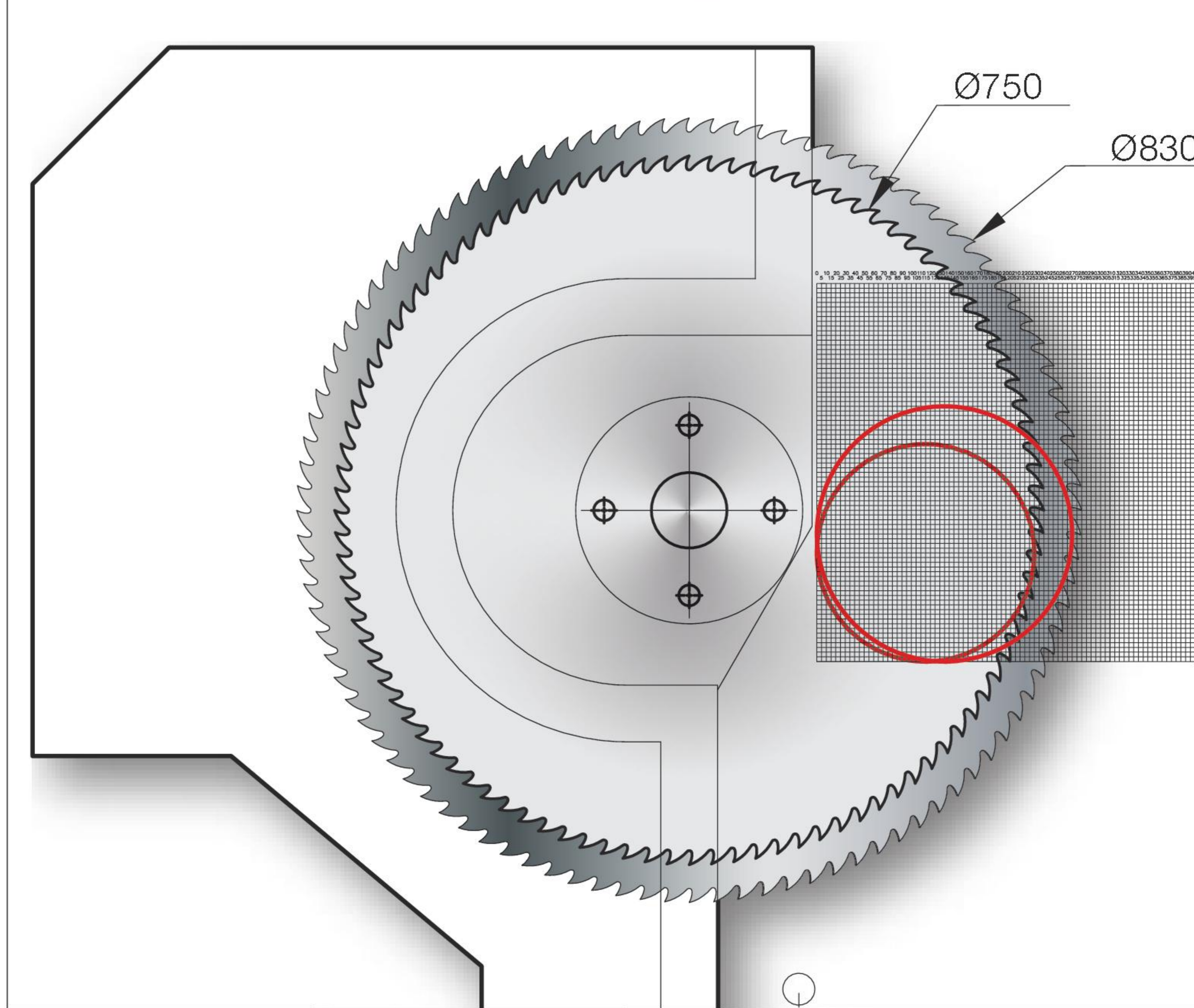
材質: 鋼  
Material: Steel

鋸刃外徑 Sawblade Dia.	●	■	▬
Ø660	50 - 200	40 - 165	40 × 165

**THC-NA200NC**

材質: 鋁  
Material: Aluminum

鋸刃外徑 Sawblade Dia.	●	■	▬
Ø660	50 - 200	40 - 165	40 × 165
Ø710 (選購OPT)	60 - 200	50 - 165	50 × 165



**THC-B230NC**

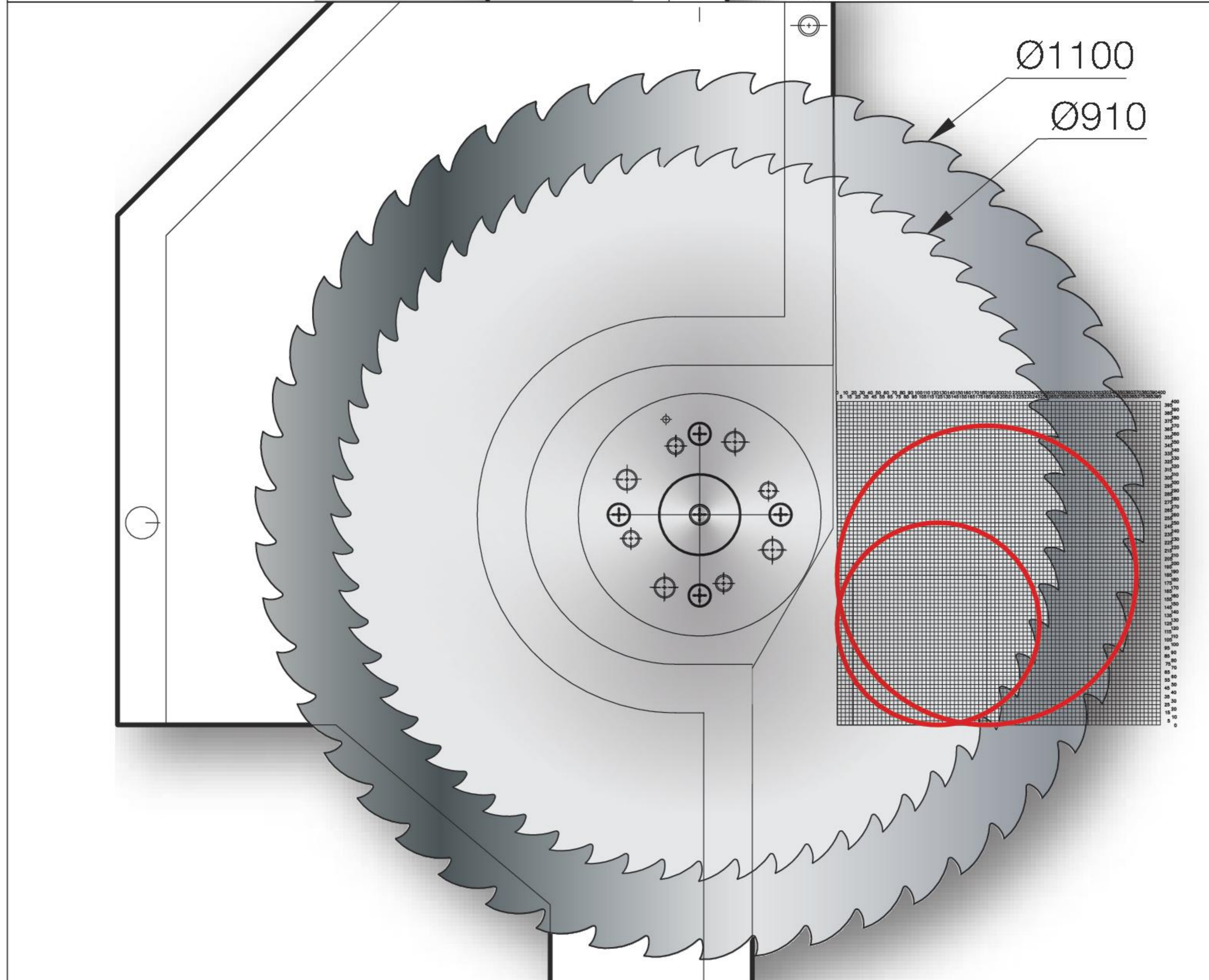
材質: 鋼  
Material: Steel

鋸刃外徑 Sawblade Dia.	●	■	▬
Ø750	75 - 230	60 - 195	60 × 195

**THC-B260NC**

材質: 鋼  
Material: Steel

鋸刃外徑 Sawblade Dia.	●	■	▬
Ø830	80 - 260	75 - 230	75 × 230

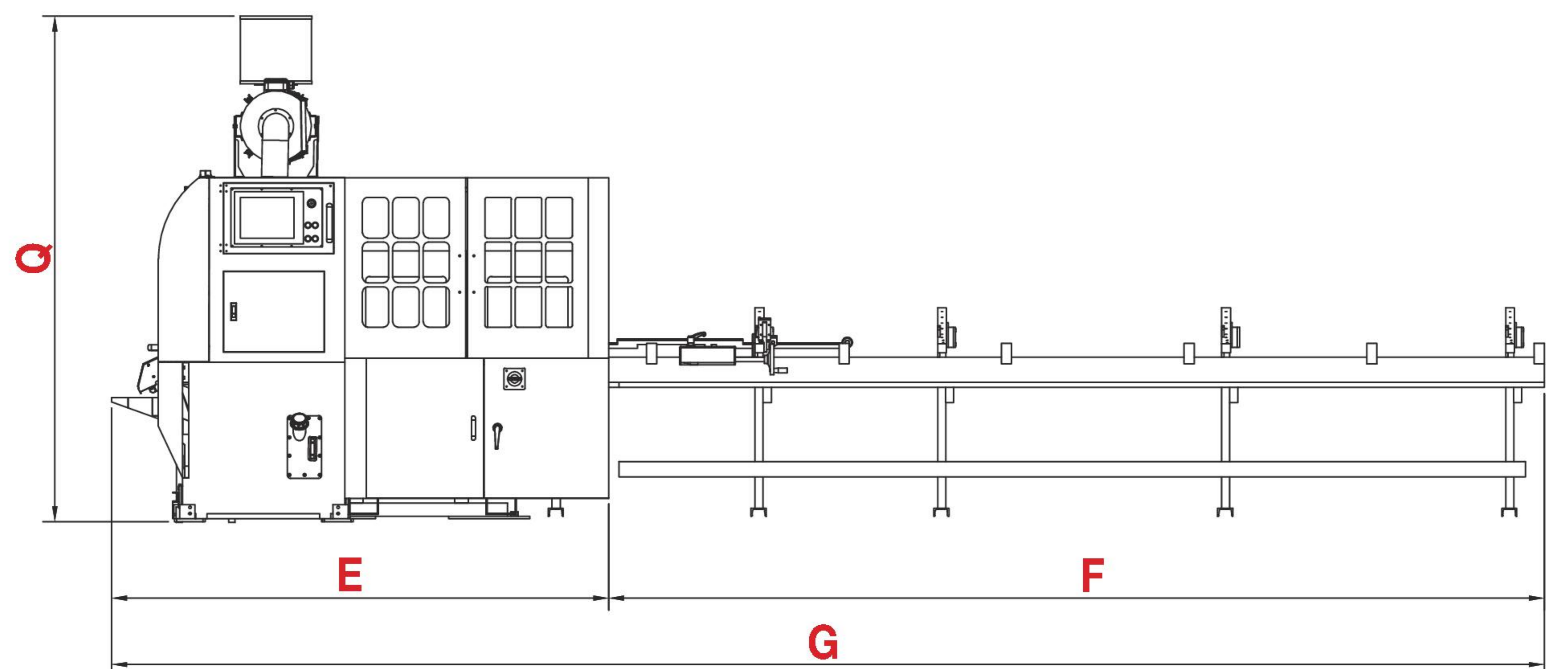
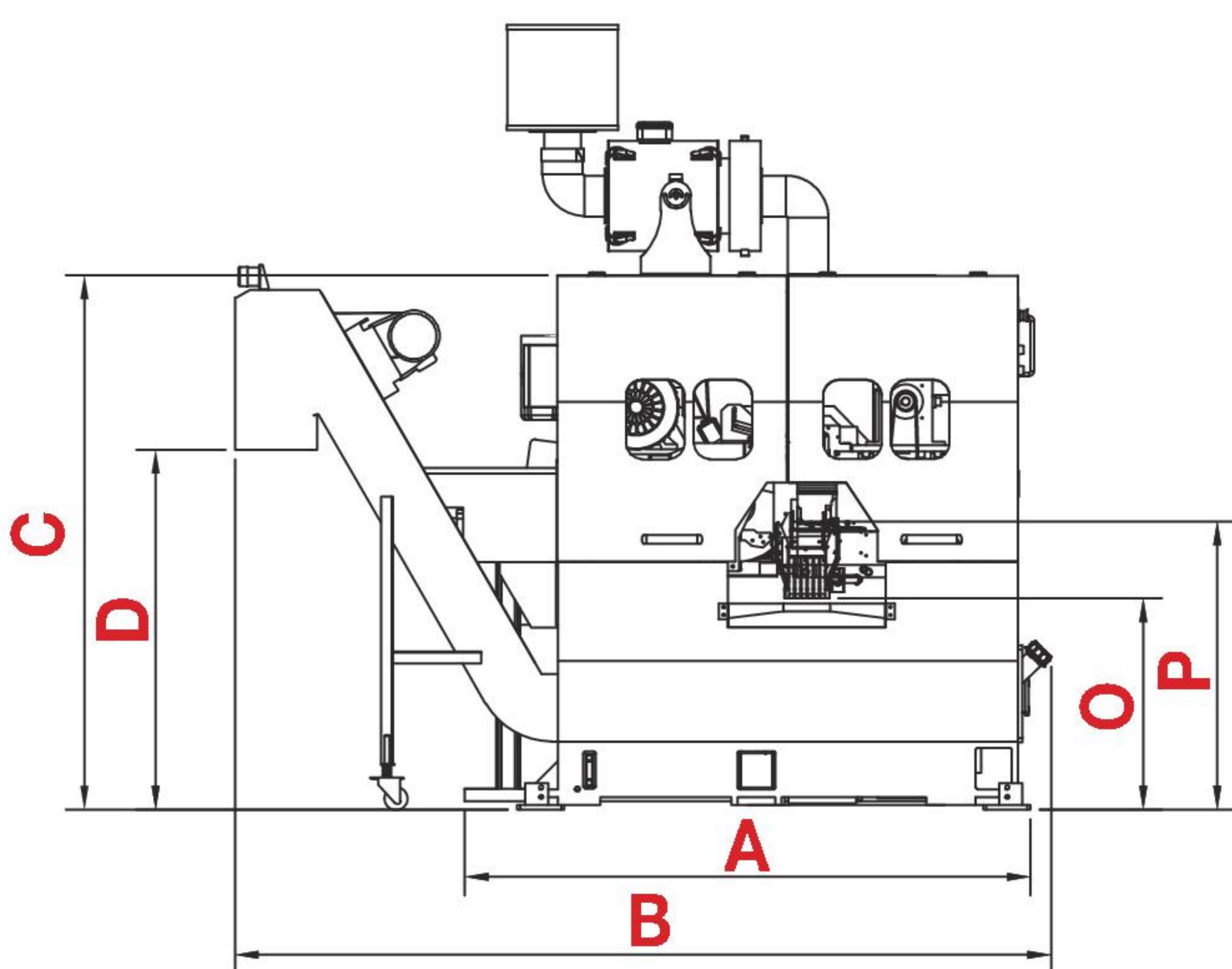
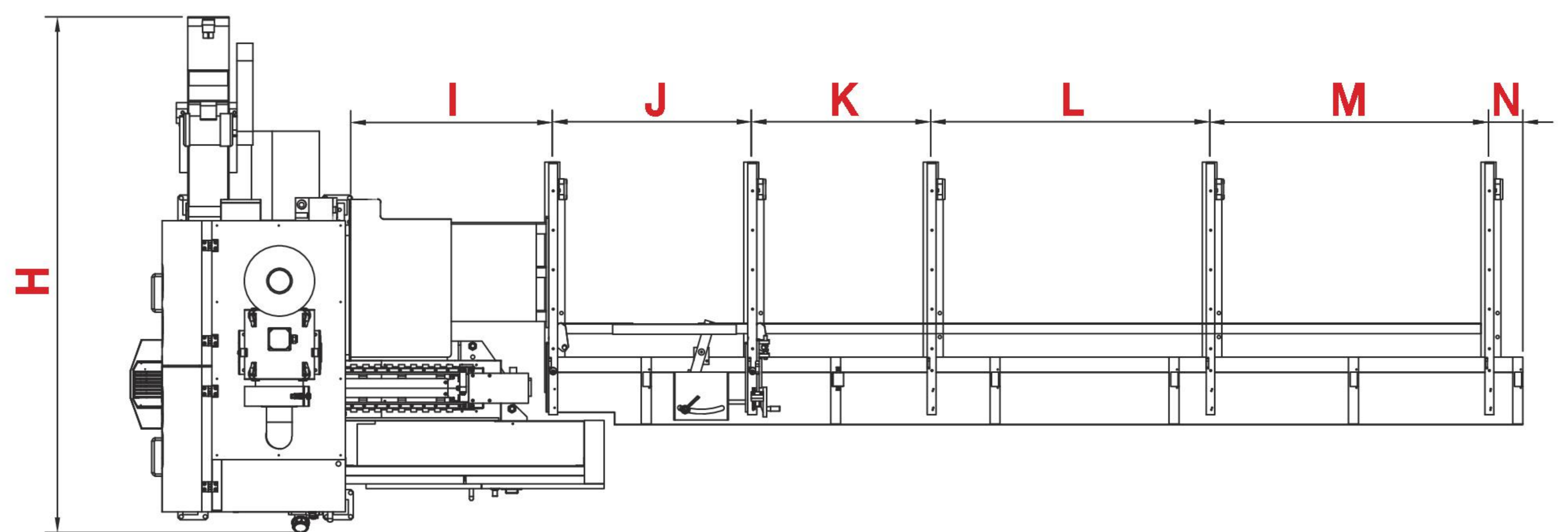
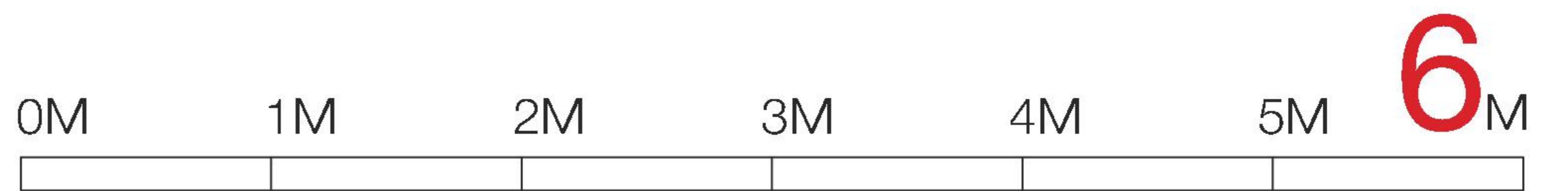


**THC-NA310NC**

材質: 鋁  
Material: Aluminum

鋸刃外徑 Sawblade Dia.	●	■	▬
Ø910 (選購OPT)	100 - 250	80 - 195	80 × 195
Ø1100	150 - 310	120 - 285	120 × 285

材料長度  
Material Length



機型 Model	A	B	C	D	E	F	G	H	I	J	K	L	M	N	O	P	Q
THC-A70NC																	
THC-B70NC	1745	2515	1803	1150	2282	4592	6874	2515	946	1000	900	1400	1400	187	600	900	2600
THC-B76NC																	
THC-B90NC	1796	2515	1697	1150	2450	4611	7061	2515	946	1000	900	1400	1400	187	600	906	2492
THC-BNA102NC																	
THC-B101NC																	
THC-B130NC																	
THC-B150NC	1765	2900	1837	1150	2500	4200	6700	2900	990	750	1050	1200	1200	330	550	910	2632
THC-B165NC																	
THC-BNA168NC																	
THC-B200NC																	
THC-NA200NC																	
THC-B230NC	3836	4842	2393	1256	2792	7392	10184	4967	2242	920	1300	1710	920	1220	956	1010	2393
THC-B260NC																	
THC-NA310NC																	

機型	Model		THC-A70NC THC-B70NC	THC-B76NC
鋸切能力	Cutting Capacity		TCT超硬鎢鋼圓鋸片 / HSS 高速鋼圓鋸片 TCT carbide sawblade / HSS sawblade	
棒材	Round Solid Bar	mm	● 10~70 (Ø8~10 Opt.選配)	● 10~72 (Ø8~Ø15 Opt.選配)
角材	Square Solid Bar	mm	■ 10~57	■ 10~60
長方形	Rectangle Solid Bar	mm	■ 10~57	■ 10~60
圓管	Round Pipe	mm	○ 10~70 (Ø8~10 Opt.選配)	○ 10~72
方管	Square Pipe	mm	□ 10~57	□ 10~60
先端切斷長度	Maximum Length Of Initial Cut	mm	10~60	10~60
尾端殘材長度	Waste Material Length At Tail End	mm	65~(65 + π 切斷長度Cutting length)	55~(55 + π 切斷長度Cutting length)
送料長度	Feeding Length	mm	5~600 連續循環動作Continuous cycles	
手積排列料架承載	Manual Stack Loader Capacity	kg	2500	3000
材料長度	Material Length	mm	2000~6000	2000~6000
置料長度	Material Loading Width	mm	950	950
<b>機械規格 Machine Specifications</b>				
TCT 超硬鎢鋼圓鋸片	TCT Carbide Sawblade	mm	Ø250~Ø285 × t2.0	Ø285 × t2.0 (Std.標準) Ø315 × t2.25 (Opt.選配)
銷孔+孔徑	Pin Holes + Bore	mm	4 × Ø11 × PCD63 × Ø32	4 × Ø11 × PCD63 × Ø32
TIP 鋁鎢鋼圓鋸片	TIP Aluminum Carbide Sawblade	mm	—	—
銷孔+孔徑	Pin Holes + Bore	mm	—	—
HSS 高速鋼圓鋸片	HSS Sawblade	mm	Ø250~Ø285 / t1.5~2.5	Ø285~Ø315 t1.5~t2.25
主軸馬達	Spindle Motor	kw	7.5-9 (10-12HP)	9 (12HP)
主軸轉速	Spindle Speed	rpm	17~200	50~180
變頻器	Frequency Inverter	kw	11 (15HP)	11 (15HP)
油壓馬達	Hydraulic Pump Motor	kw	2.2 (3HP)	2.2 (3HP)
油壓壓力	Hydraulic Pressure	mpa	7mpa 70kg / cm <sup>2</sup>	7mpa 70kg / cm <sup>2</sup>
油壓油容量	Oil Tank Capacity	L	約 100	約 120
氣壓壓力	Air Pressure	mpa	0.4~0.6mpa 4~6kg / cm <sup>2</sup>	0.4~0.6mpa 4~6kg / cm <sup>2</sup>
定寸送料方式	Feeding Driven Method		AC 伺服馬達(1.3kw或1.5kw) 驅動滾珠螺桿送料 AC Servo-motor (1.3kw or 1.5kw) driving ball screw transmission for feeding.	
頭部驅動方式	Sawhead Driven Method		A. 油壓驅動進給切斷 Sawhead driven by hydraulic feed for cutting	—
			B. AC 伺服馬達 (1.8kw或2.0kw) 驅動滾珠螺桿進給切斷 (選配) AC Servo-motor (1.8kw or 2.0kw) driving ball screw transmission for cutting (Opt.)	
送料夾鉗	Feeding Vise		平行油壓式 Horizontal hydraulic type	
主夾鉗	Main Vise		平行油壓式 / 上壓油壓式各一組 Horizontal and vertical hydraulic type , one set each	
<b>機械尺寸與重量 Machine Dimensions and Weight</b>				
尺寸	Machine Size	mm	6650 x 1450 x 1560	6860 x 1889 x 1530
重量(機台+料架)	Weight (Machine + Feeder)	kg	2500	2500



THC-B90NC	THC-BNA102NC	THC-B101NC	THC-B130NC
TCT超硬鎢鋼圓鋸片 HSS 高速鋼圓鋸片 TCT carbide sawblade HSS sawblade	TIP 銅鋁鎢鋼圓鋸片 TIP aluminum carbide sawblade	TCT超硬鎢鋼圓鋸片 HSS 高速鋼圓鋸片 TCT carbide sawblade HSS sawblade	TCT超硬鎢鋼圓鋸片 HSS 高速鋼圓鋸片 TCT carbide sawblade HSS sawblade
● 15~90 ■ 15~80 ■ 15~80 ○ 15~90 □ 15~80	● 20~101 ■ 20~90 ■ 20~90 ○ 20~101 □ 20~90	● 25~100 ■ 25~76 ■ 25~76 ○ 25~100 □ 25~76	● 25~130 ■ 25~110 ■ 25~110 ○ 25~130 □ 25~110
10~60	10~60	10~50	10~50
55~(55 + $\pi$ 切斷長度Cutting length)		85~(85 + $\pi$ 切斷長度Cutting length)	
5~600 連續循環動作Continuous cycles		5~640 連續循環動作Continuous cycles	
3000	3000	3600	3600
2000~6000	2000~6000	3000~6000	3000~6000
950	950	900	900
Ø285 x 2.0~Ø330 x 2.25	—	Ø360 x 2.3 x t2.6 (t2.5~2.7)	Ø425 x 2.3 x t2.7 (t2.5~2.7 Std. 標準) Ø360 x 2.3 x t2.6 (t2.5~2.7 Opt. 選配)
4 x Ø11 x PCD63 x Ø32	—	4 x Ø14 x PCD80 & 4 x Ø11 x PCD63 x Ø32 / Ø40 / Ø50	
—	Ø305~Ø335 (t2.2~3.0 Std. 標準)	—	—
—	4 x Ø11 x PCD63 x Ø25.4 (Ø32 Opt. 選配)	—	—
Ø285~Ø330 / t2.0~2.5	—	Ø360 x t2.5~3.5 4 x Ø11 x PCD63 x Ø32 / Ø40 / Ø50	Ø360~Ø425 x t2.5~3.5
9-11 (12-15HP) 50~180 11 (15HP)	11 (15HP) 2600~3500 11 (15HP)	11 (15HP) 12~120 15 (20HP)	11-15 (15-20HP) 12~120 15 (20HP)
2.2 (3HP) 7mpa 70kg / cm <sup>2</sup> 約 120 0.4~0.6mpa 4~6kg / cm <sup>2</sup>	2.2 (3HP) 7mpa 70kg / cm <sup>2</sup> 約 120 0.4~0.6mpa 4~6kg / cm <sup>2</sup>	3.7 (5HP) 7mpa 70kg / cm <sup>2</sup> 約 150 0.4~0.6mpa 4~6kg / cm <sup>2</sup>	3.7 (5HP) 7mpa 70kg / cm <sup>2</sup> 約 150 0.4~0.6mpa 4~6kg / cm <sup>2</sup>
AC 伺服馬達(1.3kw或1.5kw)驅動滾珠螺桿送料 AC Servo-motor (1.3kw or 1.5kw) driving ball screw transmission for feeding.		AC 伺服馬達(1.8kw或2.0kw)驅動滾珠螺桿送料 AC Servo-motor (1.8kw or 2.0kw) driving ball screw transmission for feeding.	
AC 伺服馬達 (1.8kw或2.0kw) 驅動滾珠螺桿進給切斷 (選配) AC Servo-motor (1.8kw or 2.0kw) driving ball screw transmission for cutting (Opt.)		AC 伺服馬達 (2.9kw或3.5kw) 驅動滾珠螺桿進給切斷 (選配) AC Servo-motor (2.9kw or 3.5kw) driving ball screw transmission for cutting (Opt.)	
平行油壓式 Horizontal hydraulic type		平行油壓式 Horizontal hydraulic type	
平行油壓式 / 上壓油壓式各一組 Horizontal and vertical hydraulic type , one set each		平行油壓式 / 上壓油壓式各一組 Horizontal and vertical hydraulic type , one set each	
6860 x 1889 x 1530	6860 x 1889 x 1530	6700 x 2200 x 1900	6700 x 2200 x 1900
2800	2800	3500 + 1500	3500 + 1500

The manufacturer always performs product improvements to achieve the best possible performance. All models specifications, dimensions and design characteristics shown in this catalogue are subject to change without notice. Product specifications are based on the actual machines. The manufacturer holds explanation rights.

機型	Model		THC-B150NC	THC-B165NC	THC-BNA168NC
鋸切能力	Cutting Capacity		TCT 超硬鎢鋼圓鋸片 TCT carbide sawblade		TIP 銅鋁鎢鋼圓鋸片 TIP Aluminum carbide sawblade
棒材	Round Solid Bar	mm	● 50~150	● 70~165	● 70~168
角材	Square Solid Bar	mm	■ 50~110	■ 70~130	■ 70~130
長方形	Rectangle Solid Bar	mm	■ 50~100	■ 80~120	■ 80~120
圓管	Round Pipe	mm	— —	○ 70~168	
方管	Square Pipe	mm	— —	□ 70~130	
先端切斷長度	Maximum Length Of Initial Cut	mm	10~50	10~50	10~50
尾端殘材長度	Waste Material Length At Tail End	mm	85~(85 + π 切斷長度Cutting length)		
送料長度	Feeding Length	mm	5~640 連續循環動作Continuous cycles		
手積排列料架承載	Manual Stack Loader Capacity	kg	4600	4600	4600
材料長度	Material Length	mm	3000~6000	3000~6000	3000~6000
置料長度	Material Loading Width	mm	900	900	900
<b>機械規格 Machine Specifications</b>					
TCT 超硬鎢鋼圓鋸片	TCT Carbide Sawblade	mm	Ø460x2.3xt2.7 Ø460x2.3xt2.7 (Opt.選配)	Ø480 x 2.3 x t2.7 (Std. 標準)	—
銷孔+孔徑	Pin Holes + Bore	mm	4 x Ø21 x PCD90 x Ø50	4 x Ø21 x PCD90 x Ø50	—
TIP 鋁鎢鋼圓鋸片	TIP Aluminum Carbide Sawblade	mm	— —	— —	Ø480 x t2.7~3.6
銷孔+孔徑	Pin Holes + Bore	mm	— —	— —	4xØ21x PCD90 x Ø32
HSS 高速鋼圓鋸片	HSS Sawblade	mm	Ø450 x t2.5~3.0 x Ø50 / Ø480 x t2.5~3.0 x Ø50		—
			4 x 12 x PCD90 / 4 x 21 x PCD90		—
主軸馬達	Spindle Motor	kw	11 (15HP)	11-15 (15-20HP)	15 (20HP)
主軸轉速	Spindle Speed	rpm	30~90	30~90	1300~3400
變頻器	Frequency Inverter	kw	15 (20HP)	15 (20HP)	18.5 (25HP)
油壓馬達	Hydraulic Pump Motor	kw	3.7 (5HP)		
油壓壓力	Hydraulic Pressure	mpa	7mpa 70kg / cm <sup>2</sup>		
油壓油容量	Oil Tank Capacity	L	約 150		
氣壓壓力	Air Pressure	mpa	0.4~0.6mpa 4~6kg / cm <sup>2</sup>		
定寸送料方式	Feeding Driven Method		AC 伺服馬達(1.8kw或2.0kw) 驅動滾珠螺桿送料 AC Servo-motor (1.8kw or 2.0kw) driving ball screw transmission for feeding.		
頭部驅動方式	Sawhead Driven Method		AC 伺服馬達 (2.9kw或3.5kw) 驅動滾珠螺桿進給切斷 (選配) AC Servo-motor (2.9kw or 3.5kw) driving ball screw transmission for cutting (Opt.)		
送料夾鉗	Feeding Vise		平行油壓式 Horizontal hydraulic type		
主夾鉗	Main Vise		平行油壓式 / 上壓油壓式各一組 Horizontal and vertical hydraulic type, one set each		
<b>機械尺寸與重量 Machine Dimensions and Weight</b>					
尺寸	Machine Size	mm	6700 x 2200 x1900	6700 x 2200 x1900	6700 x 2200 x1900
重量(機台+料架)	Weight (Machine + Feeder)	kg	4000 + 1600	4000 + 1600	4000 + 1600

機型	Model		THC-B200NC THC-NA200NC	THC-B230NC THC-B260NC	THC-NA310NC
鋸切能力	Cutting Capacity		TCT超硬鎢鋼圓鋸片 TCT carbide sawblade TIP 鋁鎢鋼圓鋸片 TIP Aluminum carbide sawblade		TIP 鋁鎢鋼圓鋸片 TIP Aluminum carbide sawblade
棒材	Round Solid Bar	mm	● 50~200	● 75~230 80~260	● 100~250 150~310
角材	Square Solid Bar	mm	■ 40~165	■ 60~195 75~230	■ 80~195 120~285
長方形	Rectangle Solid Bar	mm	■ 40~165	■ 60~195 75~230	■ 80~195 120~285
圓管	Round Pipe	mm	---	---	---
方管	Square Pipe	mm	---	---	---
先端切斷長度	Maximum Length of Initial Cut	mm	25~90		
尾端殘材長度	Waste Material Length at Tail End	mm	100+ $\pi$ 未切斷厚度	110+ $\pi$ 未切斷厚度 Uncut thickness	
送料長度	Feeding Length	mm	5~500 連續循環動作Continuous cycles		
手積排列料架承載	Manual Stack Loader Capacity	kg	10000	15000	
材料長度	Material Length	mm	2000~6000		
置料長度	Material Loading Width	mm	1200		
<b>機械規格 Machine Specifications</b>					
TCT 超硬鎢鋼圓鋸片	TCT Carbide Sawblade	mm	Ø660 x t3.7 x 3.0	Ø750 x t3.8 x 3.2 Ø830 x t4.8 x 4.0	---
銷孔+孔徑	Pin Holes + Bore	mm	4 x Ø22 x PCD120 x Ø80 4 x Ø22 x PCD180 x Ø80	4 x Ø22 x PCD120 x Ø80 4 x Ø22 x PCD180 x Ø80	---
TIP 鋁鎢鋼圓鋸片	TIP Aluminum Carbide Sawblade	mm	660 x 4.0 x 3.5 x Ø50 ※ 710 x 5.0 x 4.4 x Ø50	---	※ Ø910 x t8 x 6.0 x Ø100 Ø1100 x t8 x 6.0 x Ø100
銷孔+孔徑	Pin Holes + Bore	mm	4 x Ø22 x PCD120 4 x Ø22 x PCD180	---	4 x Ø22 x PCD180 4 x Ø27 x PCD200
主軸馬達	Spindle Motor	kw	37KW x 6P(50HP)	45KW x 6P(60HP)	45KW x 6P(60HP) 55KW x 4P(75HP) 選購品
主軸轉速	Spindle Speed	rpm	B200NC(25-90) NA200NC(600-1800)	20-75	450-1500
變頻器	Frequency Inverter	kw	45(60HP)	75(100HP)	
馬達驅動滾輪進料	Motor driving roller for feeding	kw	0.75(750W)		
油壓馬達	Hydraulic Pump Motor	kw	3.75-5.5 x 2 (5HP-7.5HP x 2)		
油壓壓力	Hydraulic Pressure	mpa	7mpa 70kg/cm <sup>2</sup>		
油壓油容量	Oil Tank Capacity	L	約200升		
氣壓壓力	Air Pressure	mpa	0.6-0.8mpa 6-8kg/cm <sup>2</sup>		
定寸送料方式	Feeding driven method		AC 伺服馬達(4.4kw或5.5kw) 驅動滾珠螺桿送料 AC Servo-motor (4.4kw or 5.5kw) driving ball screw transmission for feeding.		
頭部驅動方式	Sawhead driven method		AC 伺服馬達 (7.5kw或11kw) 驅動滾珠螺桿進給切斷 AC Servo-motor (7.5kw or 11kw) driving ball screw transmission for cutting		
送料夾鉗	Feeding Vise		平行油壓式 Horizontal hydraulic type		
主夾鉗	Main Vise		平行油壓式/上壓油壓式各一組 Horizontal and vertical hydraulic type, one set each		
<b>機械尺寸與重量 Machine Dimensions and Weight</b>					
尺寸	Machine Size	mm	10200 x 4970	10200 x 4970	10200 x 4970
重量(機台+料架)	Weight (Machine + Feeder)	kg	200,000	220,000	220,000

The manufacturer always performs product improvements to achieve the best possible performance. All models specifications, dimensions and design characteristics shown in this catalogue are subject to change without notice. Product specifications are based on the actual machines. The manufacturer holds explanation rights.  
※ (opt)



**THC**  
SERIES

# 鋒和機械

Fong Ho Machinery

## 圓鋸切斷機專業製造 Circular Sawing Machine Professional Manufacture

台灣總公司

**鋒和機械工業股份有限公司**

台灣省台中市大里區文心南路1191巷12號

**Fong Ho Machinery Industry Co.,Ltd.**

Tel: 886-4-2406-6769 Fax: 886-4-2406-8858

No. 12, Lane 1191, Wen-Shin South Road,  
Tali Dist., Taichung City 41258, Taiwan

[www.fongho.com.tw](http://www.fongho.com.tw) [fongho@ms26.hinet.net](mailto:fongho@ms26.hinet.net)

中國工廠 台資企業

**鋒和機械(張家港)有限公司**

215628中國江蘇省張家港市南豐經濟技術開發區204國道南豐段015號

**Fong Ho Machinery (Zhang Jia Gang) Co.,Ltd.**

Tel: 0512-5827-0871 Fax: 0512-5827-0876

Tel: 0512-5827-0872

No. 015, Nanfeng Segment, 204 Guodao Road,  
Economic Development Zone, Zhang Jia Gang,  
Jiang Su Province, China

[www.fongho.com.cn](http://www.fongho.com.cn) [gsmachine@163.com](mailto:gsmachine@163.com)

中國營銷服務處

廣東 Tel: 13903033240

北京 Tel: 13915462708

寧波 Tel: 15895699798

昆山 Tel: 13862215089

上海 Tel: 13806223685

廈門 Tel: 13806093600

重慶 Tel: 13996979822

### Agents

Unique Saws & Machinery P. Ltd. (An ISO 9001:2015 Company)

30 R.R. Private Industrial Area, Near Lav Kush Square, Sanwer Road,  
Indore - 452015 (M.P.) India

+91 97555 99686  
[info@uniquesaws.com](mailto:info@uniquesaws.com)  
[www.uniquesaws.com](http://www.uniquesaws.com)